



UTILITOUGH

Distributor of agricultural, construction and landscape equipment

Product Catalog 2025



POWER. PRODUCTIVITY. PROVEN PERFORMANCE.



Distributor of agricultural, construction and landscape equipment

UtiliTough.com

1425 Wilson Road Newberry, SC 29108

803.597.6890

carmen@utilitough.com, shannon@utilitough.com, frontdesk@utilitough.com



Distributor of agricultural, construction and landscape equipment

Who We Are

We're a team of self-starting, mission driven individuals with a passion for innovation and putting people at the center of everything we do. With over 130 years of combined experience in the industry, we strive to bring about positive change and be the change the industry wants to see. Initially focusing on hydraulic breakers, UtiliTough has evolved into a distributor of various product lines, including our signature UtiliTough line. As the exclusive distributor for Kanga Loaders USA, and Hyundai Everdigm in North America's Southeast, UtiliTough offers a diverse range of tractor, skid steer, excavator attachments and more.

GUIDING PRINCIPLES

At UtiliTough, our core values are more than words; they're the essence of our identity.

- **Integrity:** We uphold the highest standards of honesty and ethics in all that we do.
- **Commitment to Quality:** We're dedicated to excellence in every product, making quality the cornerstone of our work.
- **People-Centered:** Our valued customers and dedicated team members make UtiliTough possible.
- **Keeping Our Word:** We honor our commitments, and our word is our bond.

UtiliTough.com

1425 Wilson Road Newberry, SC 29108

803.597.6890

carmen@utilitough.com, shannon@utilitough.com, frontdesk@utilitough.com



Distributor of agricultural, construction and landscape equipment

Table of Contents

Introduction	1
Brush Cutter Section	
Mini Skid Steer Brush Cutter.....	8
Xtreme Skid Steer Brush Cutter	9
Xtreme High Flow Brush Cutter.....	10
Mini Excavator Brush Cutter.....	11
Piston Motor Brush Cutter.....	12
Xtreme Piston Motor Brush Cutter.....	13-14
Severe Bent Axis Piston Motor Brush Cutter.....	15
Xtreme Swing Boom Cutter.....	16
Xtreme Piston Motor Swing Boom Cutter.....	17
Forestry Mulcher Section	
Forestry Disc Mulcher 44".....	18
Forestry Disc Mulcher 60".....	19
Elite Series Hydraulic Breaker Section	
Hydraulic Breaker Overview and Storage.....	20
Working Tools.....	21
Internal Components and Features.....	22
Whisper Series For Compact Excavators, Backhoes, Mid-Large Excavators.....	23-25
Skid Steer/Compact Track Loaders.....	26
Application Guide For Excavators.....	27-32
Application Guide For Tractor Loader Backhoes.....	33
Application Guide For Skid Steers.....	34-35
Premium Series Hydraulic Breakers and Attachments	
Internal Components and Features.....	36
Hydraulic Breakers.....	37-38
Compactor.....	39
Grab.....	40
Grab Specifications.....	41
Multi Processors.....	42-43
Pulverizer (Fixed & Rotatable Type).....	44
Essential Series Hydraulic Breakers	
Hydraulic Breakers.....	45-46



Distributor of agricultural, construction and landscape equipment

Table of Contents

Auger and Trencher Section

Mini Skid Steer Auger Drives - Single Speed.....	47
Skid Steer Auger Drives Single Speed (2,000-5,000 lb Machines).....	48
Skid Steer Auger Drives – Single Speed (5,000-7,600 lb Machines).....	49-50
Skid Steer Auger Drives – Single Speed High Flow.....	51-52
Skid Steer Auger Drives – Two Speed High Flow.....	53-54
Auger Types.....	55
Mini Skid Steer Trencher.....	56
Skid Steer Trencher (2,400-7,000 lb Machines).....	57
Skid Steer Trencher.....	58-60
Skid Steer Trencher – High Flow.....	61-62

Excavator Bucket and Attachments Section

Excavator Buckets and Couplers	63
Excavator Buckets.....	64
Specialty Excavator Buckets & Attachments.....	65-66
Excavator Rake.....	67
Rotating Excavator Grapple.....	67
Premium Excavator Root Rake.....	68
Premium Excavator Ripper.....	69

Concrete Mixer and Bucket Section

Xtreme Series Concrete Mixer	70
Xtreme Series Concrete Bucket	71
Xtreme Series Concrete Bucket w/ Hydraulic Chute.....	71
Xtreme Series Concrete Bucket Specs.....	72
Concrete Mixer and Cradle.....	73

Bucket Section

Compact Tractor Bucket.....	74
Xtreme Series Tractor Bucket.....	75
Mulch Bucket.....	76
Snow and Litter Bucket.....	77
Turkey Litter Bucket.....	78
High Dump Bucket.....	79
Low Profile Bucket.....	80
Long Bottom Bucket.....	81
Xtreme Series Track Loader Bucket	82

UtiliTough.com

1425 Wilson Road Newberry, SC 29108

803.597.6890

carmen@utilitough.com, shannon@utilitough.com, frontdesk@utilitough.com



Distributor of agricultural, construction and landscape equipment

Table of Contents

Bucket Section continued

Severe Series Track Loader Bucket.....	83
Compact 4in1 Bucket.....	84
Xtreme Series 4in1 Bucket.....	85
Severe Series 4in1 Bucket.....	86-87

Grapple Section

Compact Root Grapple.....	88
Heavy Duty Root Grapple.....	88
Xtreme Series Root Grapple.....	89
Severe Series Root Grapple.....	89
Xtreme Series Grapple Rake.....	90
Severe Series Grapple Rake.....	90
Compact Rock Grapple.....	91
Heavy Duty Rock Grapple.....	91
Xtreme Series Rock Grapple.....	92
Compact Grapple Bucket.....	93
Heavy Duty Grapple Bucket.....	93
Xtreme Series Grapple Bucket.....	94

Kanga Mini Skid Steer Loaders & Attachment Section

Kanga Mini Skid Steer 2 Series.....	95
Kanga Mini Skid Steer 2 Series Attachments.....	96-100
Kanga Mini Skid Steer 6 Series.....	101
Kanga Mini Skid Steer 7 Series.....	102
Kanga Mini Skid Steer 8 Series.....	103
Kanga Mini Skid Steer 6, 7 & 8 Series Attachments.....	104-112

Mini Skid Steer Attachment Section

Mini Skid Steer Low Profile Bucket.....	113
Mini Skid Steer High Capacity Bucket.....	114
Mini Skid Steer 4in1 Bucket.....	115
Mini Skid Steer Stump Grapple.....	115



Distributor of agricultural, construction and landscape equipment

Table of Contents

Mini Skid Steer Attachment Section continued

Mini Skid Steer Root Grapple.....	116
Mini Skid Steer Grapple Bucket.....	116
Premium Series Mini Skid Steer Grapple Rake.....	117
Mini Skid Steer Grapple Rake.....	118
Mini Skid Steer Rock Bucket.....	118
Mini Skid Steer Rotary Tiller.....	119
Mini Skid Steer Concrete Bucket.....	119
Mini Skid Steer Pallet Frame & Forks.....	120
Mini Skid Steer Land Leveler.....	120
Mini Skid Steer Soil Conditioner.....	121
Mini Skid Steer Log Grapple.....	122

Tree & Stump Removal Attachment Section

Xtreme Stump Bucket.....	123
Xtreme Stump Grapple.....	123
Xtreme Tree & Stump Remover.....	124
Xtreme Tree Shear.....	125
Xtreme Rotating Tree Shear.....	126
Elite Stump Grinder.....	127
Premium Stump Grinder.....	128

Specialty Attachments Section

Premium Series Root Rake.....	129
Xtreme Series Root Rake.....	130
Severe Series Root Rake.....	130
Compact Rock Bucket.....	131
Heavy Rock Bucket.....	131
Xtreme Rock Bucket.....	132
Heavy Duty Land Leveler.....	133
Xtreme Series Land Leveler.....	133
Compact Manure Fork.....	134
Xtreme Manure Fork.....	134
Compact Manure Fork Grapple.....	135
Xtreme Manure Fork Grapple.....	135
Xtreme Concrete Claw.....	136
Xtreme Tooth Bars.....	136



Distributor of agricultural, construction and landscape equipment

Table of Contents

Specialty Attachments Section Continued

Sweeper Bucket Broom.....	137
Xtreme Pickup Broom.....	138
Sweeper Angle Broom.....	139
Xtreme Angle Broom.....	140
Xtreme Skid Steer Rotary Tiller.....	141
Skid Steer Conversion Brackets.....	142
Skid Steer Weld-on Brackets.....	143
Skid Steer Receiver Hitch.....	144

Snow Removal Attachment Section

Compact Snow Blade.....	145
Xtreme Series Snow Blade.....	146
Xtreme Series Snow Pusher.....	147
Xtreme Series Snow Blower.....	148

Pallet Frames & Forks Section

Compact Pallet Frame & Forks.....	149
Heavy Duty Pallet Frame & Forks.....	150
Heavy Duty Walk Thru Frame & Forks.....	150
Pallet Frame & Forks.....	151
Walk Thru Pallet Frame & Forks.....	151
Xtreme Series Frame & Forks.....	152
Severe Series Frame & Forks.....	153
Hydraulic Pallet Frame & Forks.....	154
Xtreme Series Hydraulic Pallet Frame & Forks.....	155
Xtreme Series Pallet Fork Grapple.....	156

Hay Bale Equipment Section

Xtreme Hay Spears.....	157-158
Xtreme High Back Hay Spears.....	159

Hay Bale Equipment Section Continued

Xtreme Hay Squeeze.....	160
Xtreme Hay Accumulator Grapple.....	161
Xtreme Hay Grapple Bucket.....	162



Distributor of agricultural, construction and landscape equipment

UtiliTough.com

1425 Wilson Road Newberry, SC 29108

803.597.6890

carmen@utilitough.com, shannon@utilitough.com, frontdesk@utilitough.com



UTILITOUGH

Brush Cutter Section



POWER. PRODUCTIVITY. PROVEN PERFORMANCE.



Distributor of agricultural, construction and landscape equipment

Mini Skid Steer Brush Cutter

- Available in 42" and 48"
- 42" built for mini skid steer hitch only
- 48" available in both mini and full-size skid steer hitch
- Available in low flow and standard flow
- 3/16" reinforced steel deck
- 1/2" blade carrier plate
- High strength push bar on front
- Motor cover for added protection
- Reversible, replaceable, bi-directional AR 500 hardened steel blades
- Includes hydraulic hoses and fittings
- 1 year warranty
- Warranty does not cover blades or hoses



**42" shown with mini skid steer (Dingo) hitch*

Powered by **EATON**

Direct Drive Hydraulic Motor



**48" shown with skid steer hitch*

Overall Dimensions:

42" cutter: 48.5" (W) x 51" (D) x 22" (H)

48" cutter: 54" (W) x 57" (D) x 22" (H)

Model #	Description	# of Blades	Cutting Capacity Diameter	Hose Size	Motor	Oil Flow Required	Est. Weight
1BCMNSSLF42	42" Mini Skid Steer Low Flow Brush Cutter	2	3"	.63" x 117"	2K-80cc	14-20 GPM	373
1BCMNSSLF48	48" Mini Skid Steer Low Flow Brush Cutter	3					426
1BCMNSSSF42	42" Mini Skid Steer Standard Flow Brush Cutter	2			2K-120cc	18-25 GPM	373
1BCMNSSSF48	48" Mini Skid Steer Standard Flow Brush Cutter	3					426

Replacement blade kit for 42" cutter includes: 2 blades, bolts and nuts; must be welded
 Replacement blade kit for 48" cutter includes: 3 blades, bolts, and nuts; must be welded
 (Must buy entire kit for safety purposes)



Distributor of agricultural, construction and landscape equipment

Xtreme Skid Steer Brush Cutter

- Available in 60" and 72"
- Available in standard flow and mid flow
- 1/4" reinforced steel deck
- Eaton direct drive hydraulic motor
- 3,000 PSI relief valve
- High strength push bar on front
- Motor cover for added protection
- Reversible, replaceable, bi-directional AR 50 hardened steel blades
- Dual 3/8" blade carrier plates
- 7-1/4" deck height
- Includes hydraulic hoses and fittings
- 1 year warranty
- Warranty does not cover blades or hoses



Powered by **EATON**
Direct Drive Hydraulic Motor



Safety Chain included with all skid steer models to secure on the host machine to limit the height that the cutter can be raised.

Overall Dimensions:

60" cutter: 75" (W) x 68" (D) x 22" (H)
72" cutter: 82.5" (W) x 80" (D) x 22" (H)

Model #	Description	# of Blades	Cutting Capacity Diameter	Hose Size	Tip Speed	Motor	Oil Flow Required	Est. Weight
1BCSF60	60" Skid Steer Standard Flow Cutter	3	7"	.63" x 117"	8,500-10,000	2K-120cc	18-25 GPM	1380
1BCSF60T	60" Skid Steer Standard Flow Cutter w/ Teeth							1430
1BCSF72	72" Skid Steer Standard Flow Cutter							1500
1BCSF72T	72" Skid Steer Standard Flow Cutter w/ Teeth							1550
1BCMF60	60" Skid Steer Mid Flow Cutter					4K-160cc	22-30 GPM	1380
1BCMF60T	60" Skid Steer Mid Flow Cutter w/ Teeth							1430
1BCMF72	72" Skid Steer Mid Flow Cutter							1500
1BCMF72T	72" Skid Steer Mid Flow Cutter w/ Teeth							1550

Replacement blade kit for 60" cutter includes: 3 blades, bolts and nuts; must be welded
Replacement blade kit for 72" cutter includes: 3 blades, bolts, and nuts; must be welded
(Must buy entire kit for safety purposes)



Distributor of agricultural, construction and landscape equipment

Xtreme High Flow Skid Steer Brush Cutter

- Available in 72"
- 1/4" reinforced steel deck
- Eaton direct drive hydraulic motor
- 3,000 PSI relief valve
- High strength push bar on front
- Motor cover for added protection
- Reversible, replaceable, bi-directional AR 500 hardened steel blades
- Dual 3/8" blade carrier plates
- 7-1/4" deck height
- Includes hydraulic hoses and fittings
- 3 year warranty
- Warranty does not cover blades or hoses



Powered by **EATON**
Direct Drive Hydraulic Motor



Safety Chain included with all skid steer models to secure on the host machine to limit the height that the cutter can be raised.



Overall Dimensions:

60" cutter: 75" (W) x 68" (D) x 22" (H)
72" cutter: 82.5" (W) x 80" (D) x 22" (H)

Model #	Description	# of Blades	Cutting Capacity Diameter	Hose Size	Tip Speed	Motor	Oil Flow Required	Est. Weight
1BCHF72	72" Skid Steer High Flow Cutter	3	7"	.75" x 117"	8,500-14,000	6K-225cc	30-45 GPM	1500
1BCHF72T	72" Skid Steer High Flow Cutter w/ Teeth							1550

Replacement blade kit for 72" cutter includes: 3 blades, bolts, and nuts; must be welded (Must buy entire kit for safety purposes)



Distributor of agricultural, construction and landscape equipment

Mini Excavator Brush Cutter

- Available in 42" and 48"
- Available in low flow, standard flow, and mid flow
- 1/4" A36 reinforced steel deck
- 1/2" blade carrier plate
- 6" deck height
- Removable bolt-on side protection shield
- Includes hydraulic hoses and fittings
- 1 year warranty
- Warranty does not cover blades or hoses



Powered by **EATON**
Direct Drive Hydraulic Motor



Overall Dimensions:

42" cutter: 47" (W) x 47" (D) x 24" (H)

48" cutter: 53" (W) x 53" (D) x 24" (H)

Model #	Description	# of Blades	Cutting Capacity Diameter	Hose Size	Tip Speed	Motor	Oil Flow Required	Est. Weight
1BCEXLF42	42" Excavator Low Flow Brush Cutter	2	4"	.63" x 117"	8,500-10,000	2K-80cc	14-20 GPM	804
1BCEXLF48	48" Excavator Low Flow Brush Cutter	3						860
1BCEXSF42	42" Excavator Standard Flow Brush Cutter	2				2K-120cc	18-25 GPM	804
1BCEXSF48	48" Excavator Standard Flow Brush Cutter	3						860
1BCEXMF48	48" Excavator Mid Flow Brush Cutter	3				4K-160cc	22-30 GPM	860

****Specify make and model of host machine, quick attach or pin-on mounting bracket when placing order***

Replacement blade kit for 42" cutter includes: 2 blades, bolts and nuts; must be welded
 Replacement blade kit for 48" cutter includes: 3 blades, bolts, and nuts; must be welded
 (Must buy entire kit for safety purposes)



Distributor of agricultural, construction and landscape equipment

Mini Excavator Brush Cutter

- Available in 42" and 48"
- Available in low flow, standard flow, and mid flow
- 1/4" A36 reinforced steel deck
- Includes hydraulic hoses and fittings
- 1 year warranty
- Warranty does not cover blades or hoses



Powered by **EATON**
Direct Drive Hydraulic Motor



Model #	Description	# of Blades	Cutting Capacity Diameter	# of Mulching Teeth	Hose Size	Motor	Oil Flow Required	Est. Weight
1BCEXLFX42T	42" Excavator Low Flow Open Front Brush Cutter w/ Teeth	2	4"	9	.63" x 117"	2K-80cc	14-20 GPM	804
1BCEXLFX48T	48" Excavator Low Flow Open Front Brush Cutter w/ Teeth	3						860
1BCEXSFX42T	42" Excavator Standard Flow Open Front Brush Cutter w/ Teeth	2				804		
1BCEXSFX48T	48" Excavator Standard Flow Open Front Brush Cutter w/ Teeth	3				860		
1BCEXMF48T	48" Excavator Mid Flow Open Front Brush Cutter w/ Teeth	3				860		
							4K-160cc	22-30 GPM

****Specify make and model of host machine, quick attach or pin-on mounting bracket when placing order***

Replacement blade kit for 42" cutter includes: 2 blades, bolts and nuts; must be welded
 Replacement blade kit for 48" cutter includes: 3 blades, bolts, and nuts; must be welded
 (Must buy entire kit for safety purposes)



Distributor of agricultural, construction and landscape equipment

Piston Motor Skid Steer Brush Cutter

- Available in 60", 72" and 78"
- Direct drive piston motor
- 5/8" AR400 hardened steel blades
- Mulching teeth are standard
- Requires a case drain



Model #	Description	# of Blades	Cutting Capacity Diameter	Hose Size	Oil Flow Required	Est. Weight
1BCPMX1730-60T	60" Piston Motor Brush Cutter w/ Teeth	3	7"	3/4"	17-30 GPM	1615
1BCMPX1730-72T	72" Piston Motor Brush Cutter w/ Teeth					1720
1BCPMX1730-78T	78" Piston Motor Brush Cutter w/ Teeth					1820
1BCPMX2735-60T	60" Piston Motor Brush Cutter w/ Teeth				27-35 GPM	1700
1BCPMX2735-72T	72" Piston Motor Brush Cutter w/ Teeth					1800
1BCPMX2735-78T	78" Piston Motor Brush Cutter w/ Teeth					1900
1BCPMX3048-60T	60" Piston Motor Brush Cutter w/ Teeth				30-48 GPM	1691
1BCPMX3048-72T	72" Piston Motor Brush Cutter w/ Teeth					1783
1BCPMX3048-78T	78" Piston Motor Brush Cutter w/ Teeth					1891



Distributor of agricultural, construction and landscape equipment

Xtreme Piston Motor Skid Steer Brush Cutter

- Available in 60", 72", 78" and 84"
- 3/16" deck
- Direct drive piston motor
- 5/8" AR400 hardened steel blades
- 3/8" dual clover leaf blade carrier
- 6 bolt flange
- Requires a case drain
- Mulching teeth are optional
- 1 year warranty
- Warranty does not cover blades or hoses



Model #	Description	# of Blades	Cutting Capacity Diameter	Oil Flow Required	Est. Weight
1BCPM1727-60	60" Piston Motor Brush Cutter	3	7"	17-27 GPM	1335
1BCPM1727-60T	60" Piston Motor Brush Cutter w/ Teeth				1450
1BCPM1727-72	72" Piston Motor Brush Cutter				1587
1BCPM1727-72T	72" Piston Motor Brush Cutter w/ Teeth				1602
1BCPM1727-78	78" Piston Motor Brush Cutter				1660
1BCPM1727-78T	78" Piston Motor Brush Cutter w/ Teeth				1726
1BCPM1727-84	84" Piston Motor Brush Cutter				1848
1BCPM1727-84T	84" Piston Motor Brush Cutter w/ Teeth				1879



Distributor of agricultural, construction and landscape equipment

Xtreme Piston Motor Skid Steer Brush Cutter

- Available in 60", 72", 78" and 84"
- 1/4" deck with side reinforced with 3/8" AR
- Direct drive piston motor
- 5/8" AR400 hardened steel blades
- 1/2" dual clover leaf blade carrier
- 6 bolt flange
- Requires a case drain
- Mulching teeth are optional
- 1 year warranty
- Warranty does not cover blades or hoses



Model #	Description	# of Blades	Cutting Capacity Diameter	Oil Flow Required	Est. Weight
1BCPM2735-60	60" Piston Motor Brush Cutter	3	7"	27-35 GPM	1740
1BCPM2735-60T	60" Piston Motor Brush Cutter w/ Teeth				1857
1BCPM2735-72	72" Piston Motor Brush Cutter				1851
1BCPM2735-72T	72" Piston Motor Brush Cutter w/ Teeth				1968
1BCPM2735-78	78" Piston Motor Brush Cutter				1964
1BCPM2735-78T	78" Piston Motor Brush Cutter w/ Teeth				1976
1BCPM2735-84	84" Piston Motor Brush Cutter				2216
1BCPM2735-84T	84" Piston Motor Brush Cutter w/ Teeth				2370
1BCPM3048-60	60" Piston Motor Brush Cutter	3	7"	30-48 GPM	1588
1BCPM3048-60T	60" Piston Motor Brush Cutter w/ Teeth				1692
1BCPM3048-72	72" Piston Motor Brush Cutter				1736
1BCPM3048-72T	72" Piston Motor Brush Cutter w/ Teeth				1896
1BCPM3048-78	78" Piston Motor Brush Cutter				2016
1BCPM3048-78T	78" Piston Motor Brush Cutter w/ Teeth				2176
1BCPM3048-84	84" Piston Motor Brush Cutter				2200
1BCPM3048-84T	84" Piston Motor Brush Cutter w/ Teeth				2500



Distributor of agricultural, construction and landscape equipment

Severe Bent Axis Piston Motor Skid Steer Brush Cutter

- Available in 72" or 78" width
- Powered by a Parker bent axis piston motor
- 1/4" deck
- 3/4" AR400 hardened steel blades
- 1/2" dual round blade carrier
- Requires a case drain
- Mulching teeth are standard
- 1 year warranty
- Warranty does not cover blades or hoses



Bent Axis Piston Explanation:
 Bent-axis motors can be 'bent' to an angle of up to around 40° and have a wider operating torque/speed range than an in-line motor of the same displacement.

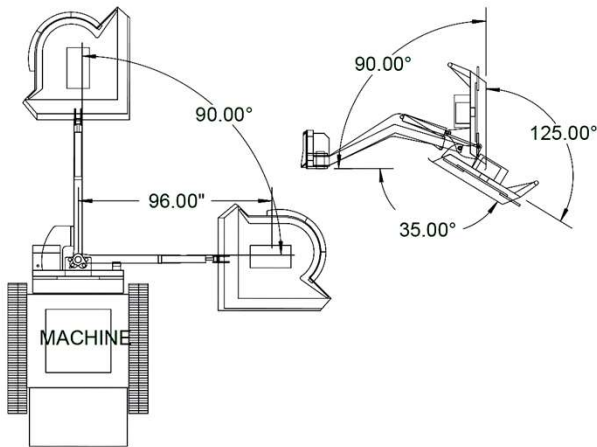
Model #	Description	# of Blades	Cutting Capacity Diameter	Oil Flow Required	# of Mulching Teeth	Est. Weight
1BCSVPM2030-72T	72" Severe Bent Axis Piston Brush Cutter w/ Teeth	4	10"	20-30 GPM	16	1979
1BCSVPM2030-78T	78" Severe Bent Axis Piston Brush Cutter w/ Teeth				20	2190
1BCSVPM3050-72T	72" Severe Bent Axis Piston Brush Cutter w/ Teeth			30-50 GPM	16	2012
1BCSVPM3050-78T	78" Severe Bent Axis Piston Brush Cutter w/ Teeth				20	2223



Distributor of agricultural, construction and landscape equipment

Xtreme Swing Boom Cutter

- Designed for cutting banks, fence lines, and right of ways
- 96" of extended horizontal reach
- Can be used as a side cutter
- 3" x 16" tilt cylinders
- 5/8" x 6" AR400 hardened steel blades
- Case drain is not required
- Optional 8 pin or 14 pin universal wiring harness
- 1 year warranty
- Warranty does not cover blades or hoses



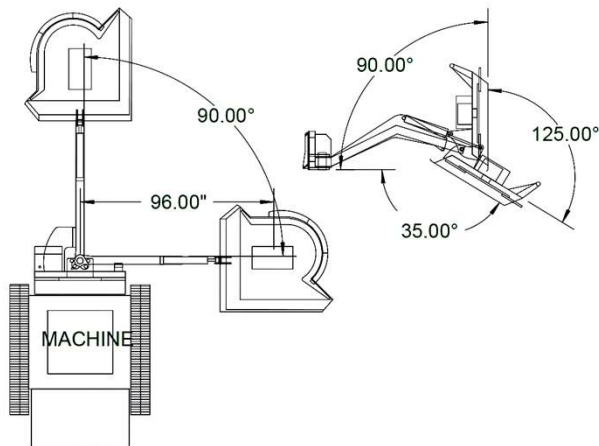
Model #	Description	# of Blades	Cutting Capacity Diameter	Cut	Oil Flow Required	Max Pressure	Est. Weight
1SBC14-20	Xtreme Swing Boom Cutter	2	3"	44"	14-20 GPM	4000 PSI	1400
1SBC16-26	Xtreme Swing Boom Cutter				16-26 GPM		1400



Distributor of agricultural, construction and landscape equipment

Xtreme Piston Motor Swing Boom Cutter

- Designed for cutting banks, fence lines, and right of ways
- 96" of extended horizontal reach
- Can be used as a side cutter
- 3" x 16" tilt cylinders
- 5/8" x 6" AR400 hardened steel blades
- Direct drive piston motor
- Case drain is required
- Optional 8 pin or 14 pin universal wiring harness 1 year warranty
- Warranty does not cover blades or hoses

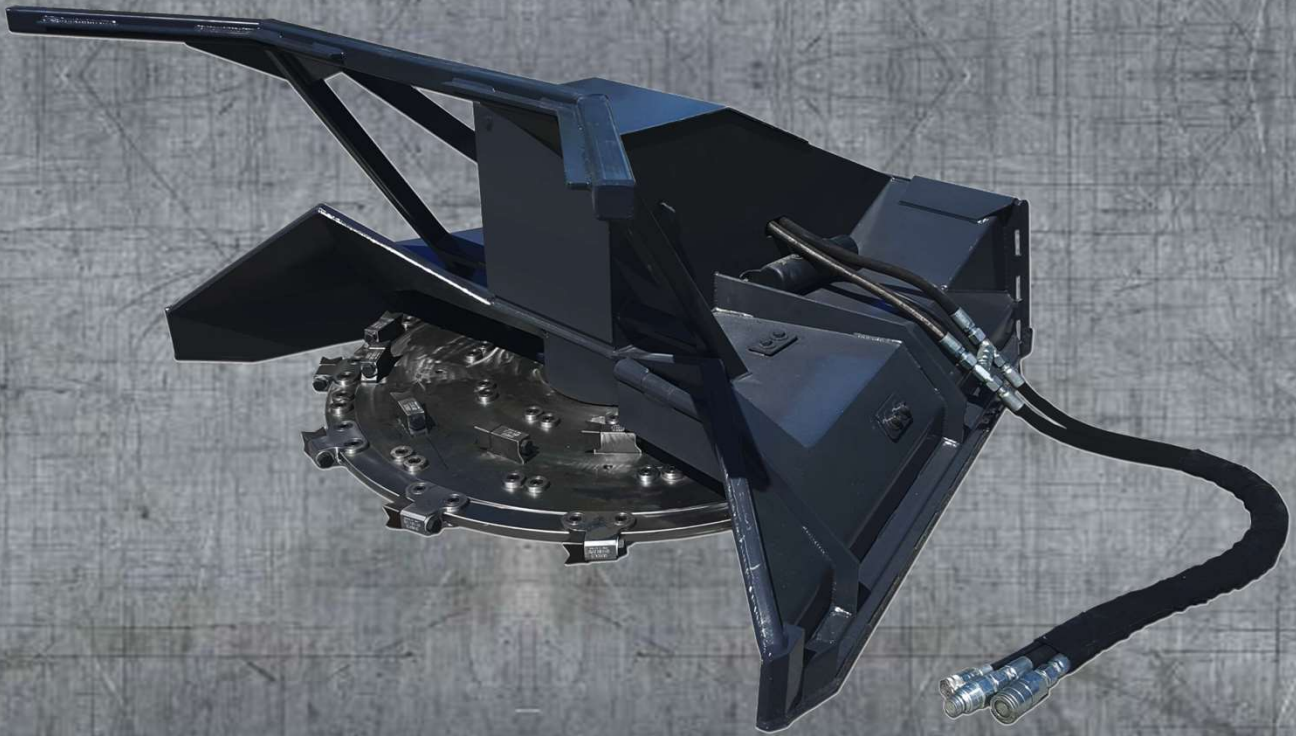


Model #	Description	# of Blades	Cutting Capacity Diameter	Cut	Oil Flow Required	Max Pressure	Est. Weight
1SBPC17-30	Xtreme Piston Motor Swing Boom Cutter	2	4"	44"	17-30 GPM	4000 PSI	1400



UTILITOUGH

Forestry Mulcher Section



POWER. PRODUCTIVITY. PROVEN PERFORMANCE.



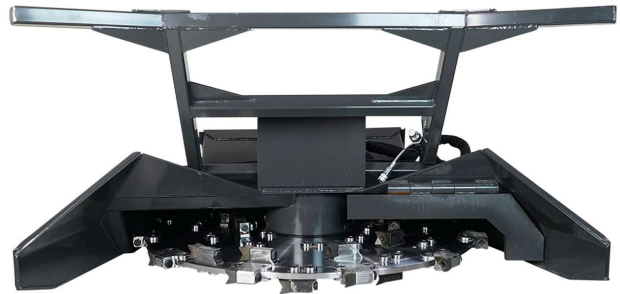
Distributor of agricultural, construction and landscape equipment

Forestry Disc Mulcher for Skid Steer

- 3/8" material on deck
- 1" thick hinged deflector
- Requires case drain
- Allows for below ground cutting



Turn, sharpen and replaceable teeth



Overall Dimensions:
52" (W) x 56" (D) x 37" (H)

Model #	Description	# of Teeth	Cutting Capacity Diameter	Disc Diameter	Motor	Oil Flow Required	Est. Weight
1FDM44-100	44" Skid Steer Forestry Disc Mulcher	34	8"	44"	100cc	20-30 GPM	1749
1FDM44-150	44" Skid Steer Forestry Disc Mulcher				150cc	30-44 GPM	1749



Distributor of agricultural, construction and landscape equipment

Forestry Disc Mulcher for Skid Steer

- 3/8" material on deck
- 1" thick hinged deflector
- Requires case drain
- Allows for below ground cutting



Turn, sharpen and replaceable teeth

Overall Dimensions:
82" (W) x 78" (D) x 37" (H)

Model #	Description	# of Teeth	Cutting Capacity Diameter	Disc Diameter	Motor	Oil Flow Required	Est. Weight
1FDM60-150	60" Skid Steer Forestry Disc Mulcher	49	14"	60"	150cc	32-44 GPM	2507
1FDM60-200	60" Skid Steer Forestry Disc Mulcher				200cc	45-60 GPM	2507



UTILITOUGH

Elite Hydraulic Breaker Section
23 breaker models that cover the entire CE industry
(carrier range from .8 to 100 tons)



POWER. PRODUCTIVITY. PROVEN PERFORMANCE.



Distributor of agricultural, construction and landscape equipment

Hydraulic Breaker Overview and Storage

Overview

- UtiliTough hydraulic breakers are a hydraulically operated nitrogen assisted style breaker designed for demolition, rock removal, asphalt cutting, post driving and compaction
- Internal control valve shortens the oil circuit and runs 10% - 15% cooler hydraulic temperatures on host machines
- BPM adjuster allows you to work quicker with softer material and achieve maximum impact power on harder surfaces
- Enclosed housing keeps debris out and also acts as a silence kit to keep the decibel level lower (suitable for local and government bids)
- Anti-blank firing system applied for longer component life (eliminates dry firing which causes damage to major components)
- Cushion damper (upper and lower) box style design helps lesson the vibration to the host machine extending life of the host machine
- Heavier thickness through bolt design helps with breaker durability

Short Term Storage

- Lay the breaker on wooden blocks. Remove the pins to disconnect the breaker from the boom
- Remove the tool and ensure the retaining pins, bushings and piston bottom are well greased
- Reinstall the tool
- Cover with a tarp

Long-Term Storage - Preferred Method

- Remove the tool. Liberally grease inside the front head, piston bottom, and retaining pins
- Release the cushion chamber gas pressure
- Push the piston up inside the breaker
- Reinstall the tool
- Cover with a tarp

Long-Term Storage - Alternate Method

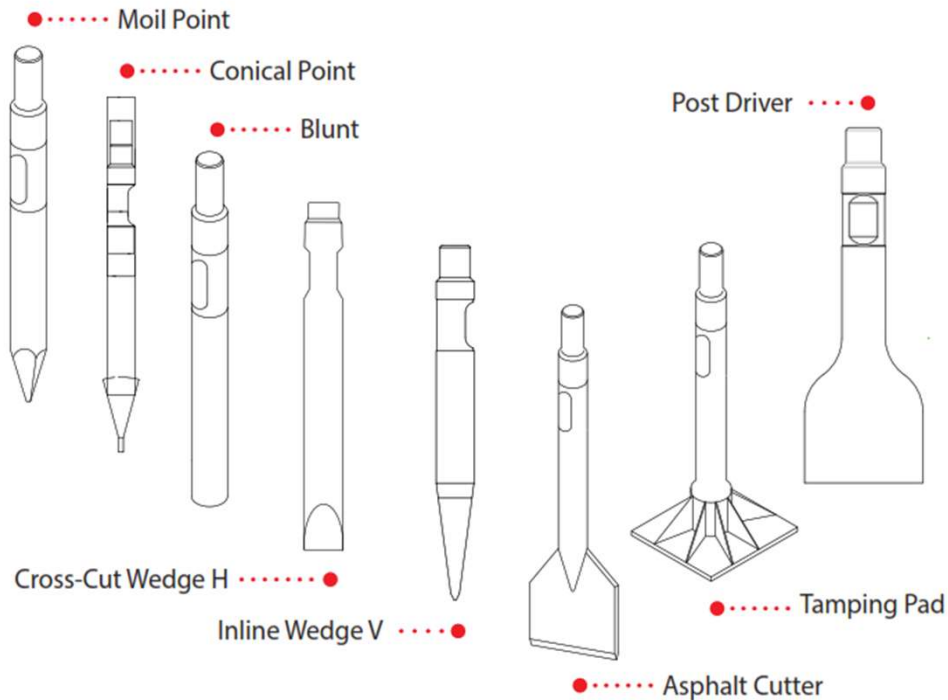
- Store breaker upright in a safety stand
- DO NOT release the cushion chamber gas pressure
- Allow the breaker weight to push the tool up into the breaker



Distributor of agricultural, construction and landscape equipment

Elite Series Working Tools

- Heat-treated core surface
- Optimum balance for longer wear life and crack prevention



Conventional Working Tool Application

	Primary Breaking	Secondary Breaking	Hard Rock Removal	Soft Material & Rock Material	Demolition
Cross-Cut Wedge H	✓		✓	✓	✓
In-Line Wedge V	✓		✓	✓	✓
Moil Point	✓		✓	✓	✓
Conical Point	✓		✓	✓	✓
Blunt Point		✓	✓		✓

Special Working Tool Application

	Asphalt Removal	Compacting	Post Driving	
Asphalt Cutter	✓			✓ Highly Recommended
Tamping Pad		✓		
Post Driver			✓	



Distributor of agricultural, construction and landscape equipment

Elite Series Internal Components and Features

Floating Power Cell and Bolt-Free Enclosed Housing

- Prevents carrier boom and arm fatigue failure
- No metal-to-metal contact
- Floating and fully enclosed power cell
- Extended breaker and carrier service life
- Low noise
- Suitable for all applications, particularly trenching, quarry, and mining

Advanced Internal Valve System

- Built-in cylinder
- Energy efficiency
- Oil leakage free
- Thicker flesh cylinder block
- Lower maintenance and repair requirements

Work Mode Selector

- Optimizes power and speed for application requirements
- Enables maximum productivity in all applications from light- to heavy-duty material breaking
- Available for UT1000 and above

Large Capacity Accumulator and Diaphragm

- Proactively prevents carrier hydraulic part fatigue failure
- Accelerates striking performance
- Prevents cavitation
- Increases seal and diaphragm service life
- Available for UT650 and above

Tool Pin Hole Protector

- Minimizes direct contact between holes and material to breaker
- Protects tool pin hole damage from debris
- Extends tool pin and working tool wear life
- Prevents hole cover missing and debris/dust entry

Bottom Plate

- Non-abrasive high-tensile raw material
- Fully enclosed lower bushing and front headblock
- Minimize debris and dust entering percussion chamber
- Increases service life of housing, tool, lower bushing, and front head

Working Tool

- Heat-treated core surface
- Optimum balance for longer wear life and crack prevention
- Variety of conventional and special tool types

Dust Protector

- Percussion chamber protection
- Prolongs lubrication between bushings and working tool
- Prevents contamination
- Increases life of seal, bushings, working tool, piston, and cylinder in severe dust applications

Large Size Tool Pin

- Heavy-duty oval shape pins
- Heat treated and enlarged size
- Longer wear life
- Maintenance-friendly design; bolt free, rubber plugged holes

Bushings

- Differentiated anti-wear raw material
- Higher core hardness
- Extended wear life

Larger Capacity Gas Chamber and Optimum Piston Size

- Hybrid energy-efficient design
- Higher impact power delivery
- Lower oil flow consumption
- Durable piston design; larger surface contacting working tool
- Dampens repercussion vibration force
- Prevents carrier structure fatigue failure

External Gas Charging

- Gas charging from external housing
- No need for housing or lubrication device disassembly
- Lower maintenance time
- Designed for easy maintenance at the job site

Anti-Blank Firing System (Auto-Stop)

- Automatically cuts off hydraulic power when the material is fully broken
- Ensures service life of tool pin, working tool, front head, piston, through bolt, and diaphragm, even with frequent dry-firing applications such as rental, secondary rock breaking, and scaling
- Standard for UT850, UT2200 and above

Air Supply Channel

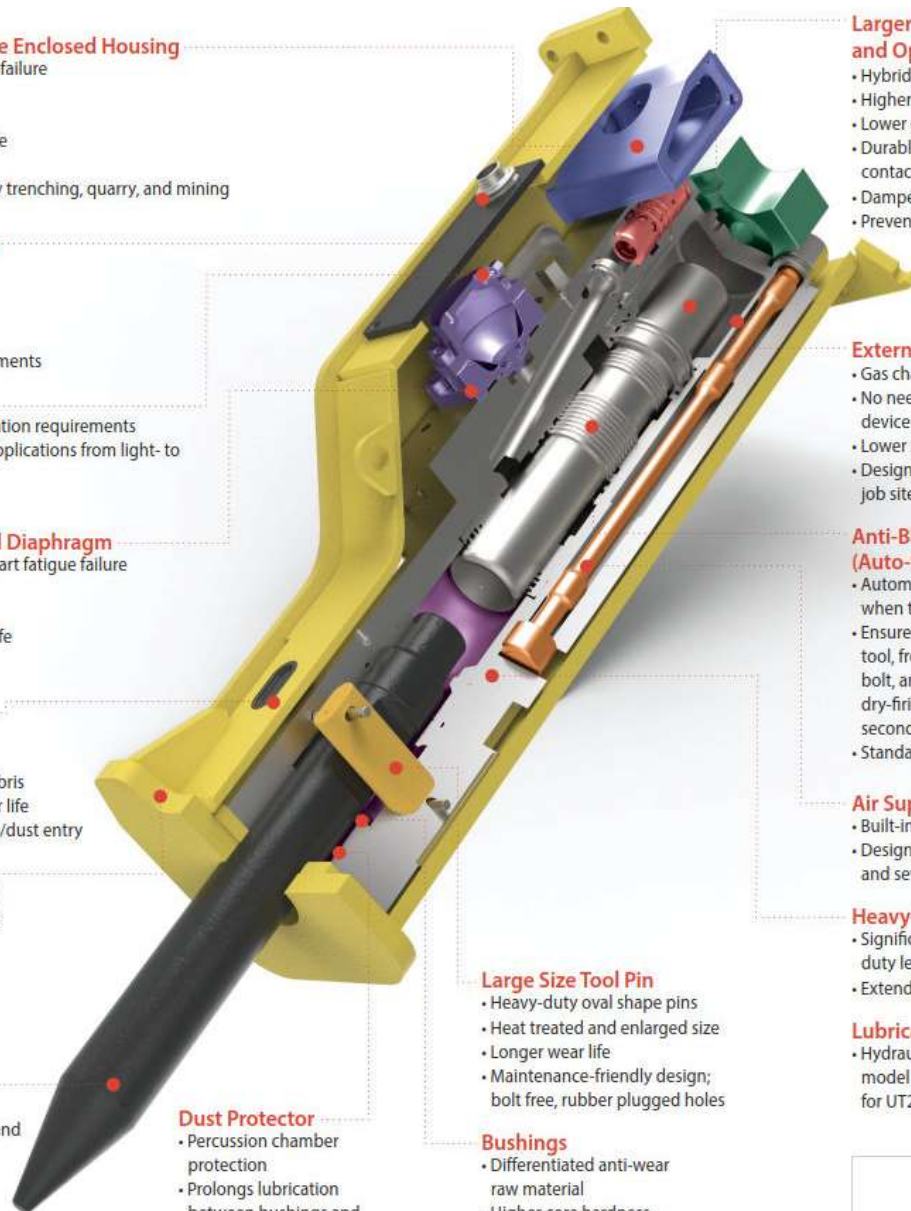
- Built-in air supply channel
- Designed for underwater, tunneling, and severe dust applications

Heavy-Duty Front Headblock

- Significantly enhanced front head duty level
- Extended front head service life

Lubrication

- Hydraulic auto-lube system standard on model UT1000 and above and optional for UT225 - UT850



Utilitough.com

1425 Wilson Road Newberry, SC 29108

803.597.6890

carmen@utilitough.com, shannon@utilitough.com, frontdesk@utilitough.com



Distributor of agricultural, construction and landscape equipment

Elite Series Hydraulic Breakers Whisper Series

For compact excavators, backhoes and mid - large excavators

- The control valve is integrated into the breaker headcap which makes for easy on-site service
- Includes common quick attach / common pin on mounting bracket
- Accumulator applied to models 650 and above
- Model UT1000 and above include an auto lube system at no additional charge
- 2 chisel tools come standard
- Gas charging kit included
- 1 tube of Schaeffer's chisel paste
- Longer than industry standard hydraulic hoses supplied
- 3 year warranty
- Warranty does not include wear parts



MODEL		UT225	UT500	UT650	UT850	UT1000	UT1200
Impact Energy Class	ft lb	225	500	650	850	1000	1200
Operating Weight	lb	269	419	618	772	1,124	1,245
Hose Length	in	.5 x 90	.5 x 100	.5 x 100	.75 x 100	.75 x 100	.75 x 100
Blow Rate	bpm long	540-1,000	600-1,490	550-1,300	380-1,100	490-1,100	480-1,100
	bpm short					490-1,100	480-1,100
Required Oil Flow	gpm	3.96-7.92	5.2-10.5	7.9-17.1	10-21.1	10-23.7	11-25
Operating Pressure	psi	1,280-1,707	1,280-1,707	1,565-2,347	1,707-2,347	1,991-2,418	1,991-2,418
Second Relief Setting Pressure	psi	2,489	2,500	2,500	2,500	2,500	2,500
Tool Diameter	in	1.77	2.24	2.75	2.95	3.14	3.54
Accumulator Gas Pressure	psi			570-710	570-710	570-710	570-710
Suitable Carrier	ton	.8-2.5	1.5-4	3-6	4.5-8	4.5-8.8	6-10
	lb	1,600-5,000	3,000-8,000	6,000-12,000	9,000-16,000	9000-17,600	12,000-20,000

Warning: Chisel paste must be used with hydraulic breakers. Using high-temperature grease as substitution for chisel paste will cause damage to components of breaker. Weights may differ based on selected mount styles. Prices and specifications subject to change without notice.



Distributor of agricultural, construction and landscape equipment

Elite Series Hydraulic Breakers Whisper Series

For compact excavators, backhoes and mid - large excavators

- The control valve is integrated into the breaker headcap which makes for easy on-site service
- Includes common quick attach / common pin on mounting bracket
- Accumulator applied to models 650 and above
- Model UT1000 and above include an auto lube system at no additional charge
- 2 chisel tools come standard
- Gas charging kit included
- 1 tube of Schaeffer's chisel paste
- Longer than industry standard hydraulic hoses supplied
- 3 year warranty
- Warranty does not include wear parts



MODEL		UT1800	UT2200	UT2800	UT3200	UT4000	UT4500
Impact Energy Class	ft lb	1800	2200	2800	3200	4000	4500
Operating Weight	lb	1,873	2,029	2,580	3,218	3,528	4,013
Hose Length	in	.75 x 100	.75 x 100	.75 x 100	1 x 100	1 x 100	1 x 90.5
Blow Rate	bpm long	360-650	350-600	320-550	320-480	320-480	340-480
	bpm short	600-900	600-900	400-700	400-650	400-650	420-550
Required Oil Flow	gpm	17-30	18.4-33	23.7-34.3	26.4-35.6	31.6-40.9	31.6-43.5
Operating Pressure	psi	1,991-2,560	1,991-2,560	2,276-2,702	2,276-2,702	2,276-2,702	2,276-2,702
Second Relief Setting Pressure	psi	3,000	3,000	3,000	3,000	3,000	3,000
Tool Diameter	in	3.74	4.13	4.52	4.92	5.31	5.31
Accumulator Gas Pressure	psi	780-850	780-850	780-850	780-850	780-850	780-850
Suitable Carrier	ton	8-12.5	10-15	12-18	16-22	18-24	20-26
	lb	16,000-25,000	20,000-30,000	24,000-36,000	32,000-44,000	36,000-48,000	40,000-52,000

Warning: Chisel paste must be used with hydraulic breakers. Using high-temperature grease as substitution for chisel paste will cause damage to components of breaker. Weights may differ based on selected mount styles. Prices and specifications subject to change without notice.



Distributor of agricultural, construction and landscape equipment

Elite Series Hydraulic Breakers Whisper Series

For compact excavators, backhoes and mid - large excavators

- The control valve is integrated into the breaker headcap which makes for easy on-site service
- Includes common quick attach / common pin on mounting bracket
- Accumulator applied to models 650 and above
- Model UT1000 and above include an auto lube system at no additional charge
- 2 chisel tools come standard
- Gas charging kit included
- 1 tube of Schaeffer's chisel paste
- Longer than industry standard hydraulic hoses supplied
- 3 year warranty
- Warranty does not include wear parts



MODEL		UT5000	UT6000	UT8000	UT11000	UT16000	UT18000
Impact Energy Class	ft lb	5000	6000	8000	11000	16000	18000
Operating Weight	lb	4,519	5,511	6,172	7,495	8,599	15,633
Hose Length	in	1.25 x 110	1.25 x 120	1.25 x 120	1.25 x 120	1.625 x 120	1.625 x 120
Blow Rate	bpm long	250-380	230-400	230-345	270-400	230-330	280-350
	bpm short	300-450	270-470	270-410	330-500	270-500	320-500
Required Oil Flow	gpm	38.3-55.4	46.2-64.6	50.1-66	60.7-73.9	63.4-84.5	92.4-111
Operating Pressure	psi	2,276-2,702	2,276-2,702	2,276-2,702	2,276-2,702	2,276-2,702	2,418-2,987
Second Relief Setting Pressure							
	psi	3,000	3,300	3,000	3,000	3,300	3,556
Tool Diameter	in	5.70	5.90	6.10	6.49	6.88	8.07
Accumulator Gas Pressure	psi	780-850	780-850	780-850	780-850	780-850	780-850
Suitable Carrier	ton	25-36	24-36	28-42	34-50	40-60	60-100
	lb	50,000-72,000	48,000-72,000	56,000-84,000	68,000-100,000	80,000-120,000	120,000-200,000

Warning: Chisel paste must be used with hydraulic breakers. Using high-temperature grease as substitution for chisel paste will cause damage to components of breaker. Weights may differ based on selected mount styles. Prices and specifications subject to change without notice.



Distributor of agricultural, construction and landscape equipment

Elite Series Hydraulic Breakers for Skid Steer/Compact Track Loaders

- The control valve is integrated into the breaker headcap which makes for easy on-site service
- Includes skid steer mounting bracket
- Accumulator applied to models 650 and above
- Model UT1000 and above include an auto lube system at no additional charge
- 2 chisel tools come standard
- Gas charging kit included
- 1 tube of Schaeffer's chisel paste
- Longer than industry standard hydraulic hoses supplied
- 3 year warranty
- Warranty does not include wear parts



MODEL		UT225	UT500	UT650	UT850	UT1000
Impact Energy Class	ft lb	225	500	650	850	1000
Operating Weight	lb	359	551	716	1,069	1,179
Hose Length	in	.5 x 90	.5 x 100	.5 x 100	.75 x 100	.75 x 100
Blow Rate	bpm long	540-1,000	600-1,490	550-1,300	380-1,100	490-1,100
Required Oil Flow	gpm	3.97-9.25	5.28-18.49	7.92-18.49	10.03-29.05	11.88-36.98
Operating Pressure	psi	1,280-1,707	1,280-2,702	1,565-2,702	1,707-2,702	1,991-2,702
Tool Diameter	in	1.77	2.24	2.75	2.95	3.14
Suitable Carrier	ton	.8-2.5	1.5-4	3-6	4.5-8	4.5-8.8
	lb	1,600-5,000	3,000-8,000	6,000-12,000	9,000-16,000	9000-17,600

Warning: Chisel paste must be used with hydraulic breakers. Using high-temperature grease as substitution for chisel paste will cause damage to components of breaker. Weights may differ based on selected mount styles. Prices and specifications subject to change without notice.



Distributor of agricultural, construction and landscape equipment

ELITE HYDRAULIC BREAKER / HAMMER APPLICATION GUIDE FOR EXCAVATORS

MODEL	ENERGY CLASS	IMPACT RATE (BLOW RATE)	OIL FLOW (GPM)	TOOL DIAMETER (IN)	MACHINE WEIGHT CLASS	HOST MACHINE
UT225	225	540-1,000	3.96-7.92	1.77	1,600-5,000	Bobcat 316, 418, E10
						Case CX14, CX15EV, CX17
						Caterpillar 301.6C, 300.9D
						Gehl 153, M08
						IHI 7J, 12NX, IHI-9NX, 9VX-3
						JCB 8008 CTS
						Komatsu PC03-2, PC15R-8, PC15R-8E, PC09-1
						Kubota K008, K008-3, U10
						New Holland E15
						Takeuchi TB007, TB108, TB210R
						Thomas DT35
						Volvo EC158 X
						Woods BG80X
						Yanmar B-15, B-17, VIO17, SV08
UT500	500	600-1,490	5.2-10.5	2.24	3,000-8,000	Bobcat 322, 323, 324, E20, E26
						Case CX17, CX26, CX30
						Caterpillar 301.5, 301.6, 301.8C, 301.4C, 301.7D, 302.4D
						Gehl GE142, GE152, GE192, GE222, Z25, GE272, 223, Z17
						Hitachi EX27U, EX17U, ZX17U-2
						Hyundai R16-9, R27Z-9, R172, R252
						IHI 18J, 12NX, 20NX, 17VX-3
						JCB 8017, 8018 CTSM 18Z-1, 8029CTS, 19C
						John Deere 17ZTS, 27ZTS, 17D, 17G
						Kobelco 13SR, SK17SR
						Komatsu PC15R-8, PC15R-8E, PC20MRX-1, PC27R-8, PC27R-8E
						Kubota KX41-2, KX41-3, U 15, KX30, KX31, KX33, U17, U25, U27, U35
						KX018-4, KX71-3, KX91
						Mustang 170Z
						New Holland EC15, EC25, E27, E18B, E17C, E26C, E30C
						Schaeff HR12, HR13, HR14
						Takeuchi TB014, TBO16, TB125, TB216, TB230, TB235-2
						Volvo EC20B, EC-25, ECR18E, EC20D, EC20E
						Yanmar B-22, VIO17, VIO20
UT650	650	550-1,300	7.9-17.1	2.75	6,000-12,000	Bobcat 325, 328, 329, E26, E32, E35
						Case CX27B, CD30C, CX33C, CX37C
						Caterpillar 301.6, 301.8C, 302.5C, 302.7D
						Gehl GE272, GE292, GE342, GE362, 303, 353, 373, 383Z, Z27
						Hitachi EX27U, ZX27U-2
						Hyundai R27Z-9
						IHI 28J, 20NX, 30NX, R30Z, 25V-4, 30V-4, 35N-4, 35V-4
						JCB 803, 8025 ZTS, 8030 ZTS, 8029ZTS
						John Deere 17ZTS, 27ZTS, 27D, 26G, 50G
						Kobelco 25SR-2, 30SR-2, 35SR-2, SK30, SK35, SK27SR, SK30SR, SK45SRX-7
						Komatsu PC20MRx-1, PC27R-8, PC27R-8E, PC30MRx-1, PC35R-8, PC35R-8E, PC18 MR-2, PC20 MR-2, PC27 MR-2, 30 MR-5, 35MR-9
						Kubota KX61-2, KX71-3, KX91-2, KX121, KX 040, U25, U35, KX121-3,
						KX030, KX033-4
						Mustang 270Z
						New Holland E27, E30, E35, EC35, EH50, E30C, E37C
						Sany SY35U
						Schaeff HR13, HR14, HR16
						Takeuchi TB125, TB135, TB228
						Volvo EC-30, EC-35, ECR28, ECR38, ECR25D, EC27D, EC35D
						Yanmar B-27, B-37, VIO27, VIO35, VIO25, VIO35-6A

Utilitough.com

1425 Wilson Road Newberry, SC 29108

803.597.6890

carmen@utilitough.com, shannon@utilitough.com, frontend@utilitough.com



Distributor of agricultural, construction and landscape equipment

ELITE HYDRAULIC BREAKER / HAMMER APPLICATION GUIDE FOR EXCAVATORS

MODEL	ENERGY CLASS	IMPACT RATE (BLOW RATE)	OIL FLOW (GPM)	TOOL DIAMETER (IN)	MACHINE WEIGHT CLASS	HOST MACHINE
UT850	850	380-1,100	10-21.1	2.95	9,000-12,000	Bobcat 325, 328, 329, 331, 331 E, 334, 335, 337, 341, 430, 435H, 442, E-32, E-35, E42, E45 Case CX31B, CX36B, CX50B, CX55, CX37C Caterpillar 302.5C, 303.5C, 303C-CR, 304.5 Doosan SS55-VP Gehl GE502, 383Z, 503Z, 603, 753Z, Z27, Z35, Z55 Hitachi EX27U, EX35U, EX50U, ZX27U-2, ZX35U-2 Hyundai 352 IHI 28J, 53J, 30NX, 35NX, 45NX, 55VX, 45V-4 John Deere 17ZTS, 27ZTS, 35ZTX, 50D, 35D, 30G, 35G Kobelco 25SR-2, 30SR-2, 35SR-2, 45SR-2, 5R50, SK355R, SK55SRX-7 Komatsu PC30MRx-1, PC35R-8, PC35R-8E, PC40MRx-1, PC45R-8, PC45R-8E, PC35 MR-2, PC40 MR-2, PC50 MR-2, PC58 UU-3, 45MR-5 Kubota KX121-2, KX161-2, U45, KX71-3, KX91-3, KX121-3, KX161-3, U35, KX040-4 Mustang 350Z New Holland E35, EC35, EC45, E50, D37C Sany SY50U Schaeff HR16, HR18 Takeuchi TB125, TB135, TB145, TB235, TB138FR, TB240, TB250-2 Volvo EC45, EC55, EC55B, ECR28, ECR38, ECR40D Yanmar B-50, VIO27, VIO35
UT1000	1000	490-1,100	10-23.7	3.14	9,000-17,600	Bobcat 335, 337, 341, 435H, E42, E45, E50, E55 Case CX57C, CD60C, Case 580N Caterpillar 303C-CR, 304.5, 304C-CR, 3070, 305C-CR, 305.5E Doosan DX60R Gehl GE602, GE652, GE802, 603, 753Z, 803, Z45 Hitachi EX50U, ZX60, EX80, ZX50U-2, ZX60USB-3 Hyundai R55-9, R60CR-9 IHI 45NX, 70Z, 80NX, 9NX, 45V-4 JCB 8052, 8040 ZTS, 8045 ZTS, 8055 ZTS, 8065 ZTS, 48Z-1, 55Z-1, 57C-1 John Deere 50ZTS, 60D, 60G, 50G Kobelco 45SR-2, 70SR, 80CS, SK55SRX, SK45SRX Komatsu PC60-7, PC75R-2, PC50 MR-2, PC55 MR-3, 55MR-5 Kubota KX057, KX161, U55 Mustang 450Z New Holland E50, B90, E57C Sany SY50U, SY60U, SY75C Schaeff HR18, HR22, HR32, H1VL22 Takeuchi TB145, TB175, TB250, TB138FR, TB250-2, TB260 Volvo ECR58, ECR58D Yanmar B-73, VIO 75, VIO 45, VIO 55, VIO50
UT1200	1200	480-1,000	11-25	3.54	12,000-20,000	Bobcat 337, 341, 442, E50, E55, E63, E85 Case CX57C, CD60C, CX75C SR, CD80C Caterpillar 304.5, 304C-CR, 3050-CR, 307, 308E Doosan DX80R Gehl GE602, GE652, GE802, 803, Z80 Hitachi EX50U, EX80, ZX50U-2, ZX60USB-3, ZX75US-3, ZX85USB-3 Hyundai R80CR-9 IHI 55J, 70Z, 80NX, 55N-47, 45V-4 JCB 8045 ZTS, 8055 ZTS, 8065 ZTS, 8085 ZTS, 85Z-1, 67C-1, 86C-1, 90Z John Deere 50ZTS, 80, 75D, 85D, 60G Kobelco 45SR-2, 70SR, 80CS, SK55SRX Komatsu PC75R-2, PC95R-2, PC55MR-3, PC88MR-8, 78US-10, 88MR-10

Utilitough.com

1425 Wilson Road Newberry, SC 29108

803.597.6890

carmen@utilitough.com, shannon@utilitough.com, frontdesk@utilitough.com



Distributor of agricultural, construction and landscape equipment

ELITE HYDRAULIC BREAKER / HAMMER APPLICATION GUIDE FOR EXCAVATORS

MODEL	ENERGY CLASS	IMPACT RATE (BLOW RATE)	OIL FLOW (GPM)	TOOL DIAMETER (IN)	MACHINE WEIGHT CLASS	HOST MACHINE						
UT1200	1200	480-1,000	11-25	3.54	12,000-20,000	Kubota KX080-3, U45, U55						
						Mustang 800Z						
						Schaeff HR22, HR32, HNL22						
						Takeuchi TB175, TB285, TB153FR, TB180FR, TB260, TB290, TB280FR						
						Volvo ECR-58, ECR-88, ECR88D						
						Yanmar VIO 45, VIO 55, VIO 80, VIO 75, SV100-2A						
UT1800	1800	360-650	17-30	3.74	16,000-25,000	Case CX75C, CX80C						
						Caterpillar 307.5, 308CR, 309CR, 310						
						Hitachi ZX75US-7, ZX85USB-5N, ZX85USB-7						
						John Deere 85G						
						Kobelco SK75R-7, SK85CX-7						
						Komatsu PC78, PC88MR-11						
						Kubota KX080						
						Link Belt 75X3, 80X3						
						Sany SY80U, SY95C						
						Volvo ECR88D						
						Yanmar SV100						
UT2200	2200	350-600	18.4-33	4.13	20,000-30,000	Bobcat ZX125						
						Case CX130, CX135SR, 9010B, 9020B, CX160, CX145						
						Caterpillar 311C, 312C, 312CL, 313B, 314C LCR, 312E, 314E, 308CR, 309CR, 310, 313F						
						Daewoo 130						
						Doosan S75V, S140LCV						
						Hitachi EX110-V, EX120-V, ZAXIS 180W, ZAXIS 120, ZAXIS 135US, ZAXIS 160LC, ZX130-5, ZX135US-3						
						Hyundai R110-7A, R140LC-9, R145LCR-9, HX130LCR, HX1402						
						John Deere 110, 120, 75C, 80C, 120C, 135C RTS, 160C LC, 180CW, 120D, 135D, 190D, 130G, 135G						
						JCB JS130, 100C-1, JS131						
						Kobelco 115SRDZ, 135SRCL, SK140						
						Komatsu PC100-6, PC120-6, FC128US-2, PC128UU-2, PC78US-6, PC138USLC-2, PC120LC-6, PC158USLC-2, PC130-7, PC78MR-6						
						Link Belt 130LX, 135, 2650, 130X2, 130X3, 145						
						New Holland EC130, E70, E80, E130, E160						
						Takeuchi TB175, TB1140, TB2150						
						Volvo EC140, ECR145D, ECR58D, EC140E						
						Yanmar SV100,						
						UT2800	2800	320-550	23.7-34.3	4.52	24,000-36,000	Case CX130, CX140E, CX145D, CX140E
												Caterpillar 311, 313, 313GC, 314F, 315F, 315GC
Develon DX140LC-5, DX140LC-7, DX140W-5												
Hitachi ZX130, ZX135US-6, ZX135US-7H												
Hyundai HX140, HX145												
John Deere 130G, 130P, 135G												
Kobelco SK140, SK130LC-11												
Komatsu PC130LC-11, PC138												
Link Belt 130LX, 135, 145, 145X4												
Sany SY135C, SY235												
Takeuchi TB1140												
Volvo EWR130E, EW140, EC140, ECR145												
UT3200	3200	320-480	26.4-35.6	4.92	32,000-44,000	Case 9020B, 9030B, CX160, CX170E, CX210						
						Caterpillar 313B, 315C, 315C L, 317, 318B, 318C L, 315DL, 316E, 318F						
						Daewoo 170						
						Develon DX170LC-5, DX180LC-5						
						Doosan S175LCV, DX180, DX140, DX180						
						Hitachi EX160-V, EX200V, ZAXIS 210W, ZAXIS 160LC, ZX180LC						
Hyundai R145LCR-9, R160LC-9, R180LC-9, HL140L, HX145LER JCB JS160,												

Utilitough.com
 1425 Wilson Road Newberry, SC 29108
 803.597.6890

carmen@utilitough.com, shannon@utilitough.com, frontdesk@utilitough.com



Distributor of agricultural, construction and landscape equipment

ELITE HYDRAULIC BREAKER / HAMMER APPLICATION GUIDE FOR EXCAVATORS

MODEL	ENERGY CLASS	IMPACT RATE (BLOW RATE)	OIL FLOW (GPM)	TOOL DIAMETER (IN)	MACHINE WEIGHT CLASS	HOST MACHINE
UT3200	3200	320-480	26.4-35.6	4.92	32,000-44,000	Hyundai JS145, JS131, JZ141, JS160, 220X
						John Deere 160LC, 160C LC, 180CW, 200LC, 200LC LF, 595D, 160D, 160G
						Kobelco SK160LC, ED180, ED190, SK115, 907LC, SK120, ED160, SK170LC
						Komatsu PC150-6, PC150LC-6, PW170ES-6, PC158USLC-2, PC160LC- 7, PC138U5LC
						Link Belt 160LX, 2700, 160X2, 160X3, 145X4, 170X4S
						New Holland EC160, EW160, EW200, E160
						Sany SY155U
						Volvo EC140E, EC150, EC160D, EC145E
						Case CX170E, CX210, CX190E
						Caterpillar 316F, 318F
UT4000	4000	320-480	31.6-40.9	5.31	36,000-48,000	Develon DX180LC-5
						Doosan DX225
						John Deere 160G, 200G
						Kobelco SK170LC-11
						Komatsu PC170LC-11, PC210-6
						Link Belt 190X4S
						Volvo EWR170E, EW180E, EC160E
						Case 9030B, 90408, CX210, CX225SR, CX240, CX290, CX245, CX250, CX235
						Caterpillar 315C, 318B, 318CL, 3200, 320CL, 320DL, 322C, 324DL, 318E, 320E, 321D, 323
						Daewoo 200, 220
UT4500	4500	340-450	31.6-43.5	5.31	40,000-52,000	Doosan S175LCV, S225LCV, S225LCVSLR, S255LCV, DX235, DX180, DX225, DX235
						Hitachi EX160-V, EX200-V, EX230-V, ZAXIS 200LC, ZAXIS 210W, ZAXIS 225US, ZAXIS 240LC-3, ZAXIS 270LC-3, ZX180LC-5, ZX250LC-5
						Hyundai 210, R180LC-9, R210LC-9, R235LCR-9, R250LC-9, R260LC-9AHX160L, HX180L, HX2206, HX235LCR
						JCB JS160, JS220, JS190, JZ235, J5160, 220X
						John Deere 160LC, 200LC, 200LC LF, 230LC, 2000 LC, 210CW, 225C
						RTS, 670ELC, 200D, 220D, 160G, 180G, 190D, 210G, 220D, 245G, 300G
						Kobelco 235SRLC, SK21 OLC, SK250LC, SK290LC, SK230, SK270SRLC, SK210LC, SK260LC, SK300LC
						Komatsu PC150-6, PC150LC-6, PC200LC-6, PC200LC-8, PC200-6B, PC220LC-6, PC220LC-8, PW170ES-6, PC228USLC-3, HB215LC-1, PC210LC-10, PC240LC-10, PC170LC, PC2384LC, PC240LC, PC360
						Link Belt 210LX, 225, 240LX, 2800, 3400, 160X2, 160X3, 210X2, 210X3, 250X3, 240X2, 245X4
						New Holland EC215, EW250, E215
UT5000	5000	250-380	38.3-55.4	5.7	50,000-72,000	Volvo EC210, EC240, ECR235DL, EC220D, ECR235E, EC220E, EC160E
						Case CX450D, CX250, CX260E, CX300, CX365E
						Caterpillar 323, 325, 326F, 328, 329, 330
						Develon DX235LCR-7, DX255LC-7, DX300LC-7
						Doosan DX225 LC (80MM PINS), DX300LC-5
						Hitachi ZX240, ZX250, ZX300, ZX345
						Hyundai HX260, HX 300
						John Deere 245G, 250G, 250P, 300G, 300P, 345G
						Kobelco SK260LC, SK270SRLC-7, SK300
						Komatsu PC210, PC238, PC240, PC270, PC290, PC308
Liebherr R9186L, R924L, R934						
UT6000	6000	230-400	46.2-64.6	5.9	48,000-72,000	Link Belt 245X4, 250X3, 250X4, 260X4S, 300X3, 300X4
						Sany SY215C, SY225C, SY235, SY265, SY305, SY335
						Volvo ECR235, EC240, EC250, EC290, EC300, EC305
						Case 9040B, 0X240, 9045B, 0X240, CX290, CX300, CX250, CX458, CX300, CX235
						Caterpillar 3200, 3220, 325B, 324DL, 325DL, 328DL, 330DL, 325CL, 320E, 321D, 324E, 329E, 325F, 326F, 330
						Daewoo 290



Distributor of agricultural, construction and landscape equipment

ELITE HYDRAULIC BREAKER / HAMMER APPLICATION GUIDE FOR EXCAVATORS

MODEL	ENERGY CLASS	IMPACT RATE (BLOW RATE)	OIL FLOW (GPM)	TOOL DIAMETER (IN)	MACHINE WEIGHT CLASS	HOST MACHINE						
UT6000	6000	230-400	46.2-64.6	5.9	48,000-72,000	Doosan S255 LCV, S300 LCVSLR, DX 300, DX 300LL, DX225, DX235, DX255						
						Hitachi EX200-V, EX230-V, EX270-V, ZAXIS 270LC-3, ZX250LC-5, ZX290LC-5, ZX300, ZX245U5LC						
						Hyundai R210LC-9, R235LCR-9, R250LC-9, R260LC-9A, R290LC-9, R300LC-9A, HX260L, HXX300L						
						JCB JS220, JS260, JS190, JZ235						
						John Deere 200LC, 200LCF, 230LC, 270LC, 225C RTS, 240D LC, 270D LC, 225D, 250G, 290G, 210G, 250G, 290G, 245G, 300G						
						Kobelco 235SRLC, SK210LC, SK250LC, SK290LC, SK230, SK260, SK270SRLC, SK210LC, SK260LC, SK300LC						
						Komatsu PC200LC-6, PC200-6B, PC220LC-6, PC220LC-8, PC270LC-6MH, PC360 PC270LC-8, PC228USLC-3, PC228USLC-2, PC210LC-10, PC240LC-10, PC290LC-10, PC23845LC, PC240LC						
						Liebherr R24c						
						Link Belt 290LX, 3400, 3900, 210X2, 210X3, 250X3, 300X3, 240X2, 290X2, 245X4, 300X4						
						New Holland EC240, EC270						
						Volvo EC290, EC250D, EC300D, EC300E, EC250E, EC235E						
						90 MM PINS, WILL WORK WITH 80MM OR 100MM						
						UT8000	8000	230-345	50.1-66	6.10	56,000-84,000	Case 9050B, CX330, CX470, CX350
												Caterpillar 330B, 325DL, 328DLR, 330DL, 328D, 336E, 335F
												Daewoo 290
												Develon DX350LC-5, DX420LC-5
												Doosan S300LCVSLR, DX300, DX340, DX420, DX300LL, DX350LC, DX350
Hitachi EX330-V, ZX300LC-6, EX370-V, ZAXIS 350LC-3, ZX470LC-5, ZX380, ZX380, ZX345 USLC												
Hyundai R320LC-9, R330LC-9A, R380LC-9, HXX330L, HX380L, HX330												
JCB JS330, JS360, J5300												
John Deere 330 LC, 370, 270D LC, 350G, 380G, 300G, 345G, 350P												
Kobelco SK330LC, SK350												
Komatsu PC300LC-6, PC300HD-6, PC308USLC-3, PC300LC-7, PC300LC HD-7, PC360LC-10												
Link Belt 300LK 4300, 5800, 350X2, 350X3, 350X4, 355X4S												
New Holland EC350												
Sany SY365												
Volvo EC330, EC360, EC340D, EC380D, ECR355E, EC350E												
90 MM PINS, WILL WORK WITH 80MM OR 100MM												
UT11000	11000	270-400	60.7-73.9	6.49	68,000-100,000							Case 9060B, CX330, CX460, CX490, CX500
						Caterpillar 336, 340, 345B, 345BL, 345CL, 350, 349E, 349F, 352F						
						Daewoo 450						
						Doosan DX480, DX520LC, DX420, DX490, DX530						
						Hitachi EX370-V, EX450, EX550-V, ZAXIS 350LC-3, ZX350LC-7H, ZAXIS 370, ZAXIS 450LC-3						
						Hyundai R380LC-9, R480LC-9, R520LC-9, HX380L, HX480L, HX520L						
						JCB JS330, JS460, JS360, J5370						
						John Deere 345G, 370, 380G, 450LC, 550LC, 350D LC, 450D LC, 470G						
						Kobelco SK480LC, SK500						
						Komatsu PC400LC, PC400HD-6, PC450LCD-6, PC400LC-7, PC390LC-10, HB365LC, PC490LC, HB365LC, PC490LC						
						Liebherr R944						
						Link Belt 460LX, 5800, 460X2, 490X4						
						New Holland EC450, EC600						
						Volvo EC360, EC460, EC480D, EC380E, ECR355E, EC350E, EC380D						
						UT16000	16000	230-3300	63.4-84.5	6.88	80,000-120,000	Case CX470, CX490
												Caterpillar 349F, 352
												Develon DX420LC-7, DX480, DX490LC-5
Hitachi ZX450, ZX470, ZX490LC-6												

Utilitough.com

1425 Wilson Road Newberry, SC 29108

803.597.6890

carmen@utilitough.com, shannon@utilitough.com, frontend@utilitough.com



Distributor of agricultural, construction and landscape equipment

ELITE HYDRAULIC BREAKER / HAMMER APPLICATION GUIDE FOR EXCAVATORS

MODEL	ENERGY CLASS	IMPACT RATE (BLOW RATE)	OIL FLOW (GPM)	TOOL DIAMETER (IN)	MACHINE WEIGHT CLASS	HOST MACHINE
UT16000	16000	230-3300	63.4-84.5	6.88	80,000-120,000	Hyundai HX480, HX520L
						John Deere 470G
						Kobelco SK480, SK485
						Komatsu PC400, PC450
						Link Belt 470
						Sany SY500
						Volvo EC460, EC480
UT18000	18000	280-350	92.4-111	8.07	120,000-200,000	Case CX700B, CX800B, CX750
						Caterpillar 345UHD, 349E, 365CL, 374DL, 385CL, 390DL, 374F, 390F
						Develon DX530LC-7, DX800LC-7
						Doosan DX700LC
						Hitachi ZAXIS 670LC-S, ZAXIS 870LC-S, ZX690, ZX890LC-6, ZX890LC-7H
						Hyundai R800LC-7A, HX900L, HX520L
						John Deere 670G LC, 870G LC
						Kobelco SK850LC
						Komatsu PC650LC-8, PC800LC-8, PC850, PC1250-8
						Liebherr R954, R966, R970, R974
						Link Belt 700X2, 800X2, 700LX, 800LX, 470X3, 750X4
						Volvo EC700C, EC750

Utilitough.com

1425 Wilson Road Newberry, SC 29108

803.597.6890

carmen@utilitough.com, shannon@utilitough.com, frontdesk@utilitough.com



Distributor of agricultural, construction and landscape equipment

ELITE HYDRAULIC BREAKER / HAMMER APPLICATION GUIDE FOR TRACTOR LOADER BACKHOES

MODEL	ENERGY CLASS	IMPACT RATE (BLOWS PER MIN.)	OIL FLOW (GPM)	TOOL DIAMETER (IN)	MACHINE WEIGHT CLASS	HOST MACHINE
UT225	225	540-1,000	3.96-7.92	1.77	1,600-5,000	Kubota B-21, B-26, BX1880, BX2380, BX2680, BX23S
						Terramite T5C
						JCB 1CX
UT500	500	600-1,490	5.2-10.5	2.24	3,000-8,000	Kubota L-35, B21, B26, L39, L47, B2650, B3350
						Terramite T7
UT650	650	550-1,300	7.9-17.1	2.75	6,000-12,000	JCB 1CX
						John Deere 110, 110TLB,
						Kubota L-48, L39, L48, L47, M62
UT850	850	380-1,100	10.21.1	2.95	9,000-16,000	JCB 2CX
						John Deere 110, 110TLB
						Kubota L48, L45, L47, M62
						New Holland LB75, 555, B95
UT1000	1000	490-1,100	10-23.7	3.14	9,000-17,600	Case 575, 580M, 580M Series 2, 580 Super M, 580 Super M Series 2,
						580 Super M+ Series 2, 580M Turbo, 580M Turbo Series 2, 590 Super M,
						590 Super M Series 2, 580N, 580 Super N, 590 Super N, 580 M Series 3,
						580 Super M Series 3, 590 Super M Series 3
						Fermac/Terex 750, 760, 860, 960, 965
						JCB 214E, 2CX, 3CX
						John Deere 310K, 3105K, 370L, 310LEP, 310SL, 310SLHL
						Kubota M59, M62
New Holland LB75, 555E, 575E, 655E, 675E, B95, B110						
UT1200	1200	480-1,000	11-25	3.54	12,000-20,000	Case 5, 75580M, 580M Series 2, 580 Super M, 580 Super M Series 2,
						580 Super M+Series 2, 580M Turbo, 580M Turbo Series 2, 590 Super M,
						590 Super M Series 2, 580N, 580 Super N, 590 Super N, 580 M Series 3,
						580 Super M Series 3, 590 Super M Series 3
						Caterpillar 416D, 416E, 420D, 420E, 430D, 430E, 416F, 420F, 415F2, 416F2,
						JCB 214, 215, 215e, 217, 2CX, 3CX, 4CX, 3CD-15 Super, 3CX-14 Super,
						4CD-15 Super, 4CK-14 Super
						John Deere 310G, 310SG, 315SG, 410G, 310K, 310SK, 315SK, 315SL, 410L
Case 580 Super M Series 2, 580 Super M+ Series 2, 590 Super M Series 2						
UT1800	1800	360-650	17-30	3.74	16,000-25,000	Caterpillar 420F, 430E, 446D, 430F, 450F, 440
						John Deere 320, 410G, 710G, 410K, 710K, 710L
						Komatsu WB1 56-5, WB156PS-5
						Case 580 Super M Series 2, 580 Super M+ Series 2, 590 Super M Series 2
UT2200	2200	350-600	18.4-33	4.13	20,000-30,000	John Deere 410G, 710G, 410K, 710K, 710L
						Komatsu WB1 56-5, WB156PS-5
						Case 580 Super M Series 2, 580 Super M+ Series 2, 590 Super M Series 2

Utilitough.com
 1425 Wilson Road Newberry, SC 29108
 803.597.6890

carmen@utilitough.com, shannon@utilitough.com, frontdesk@utilitough.com



Distributor of agricultural, construction and landscape equipment

ELITE HYDRAULIC BREAKER / HAMMER APPLICATION GUIDE FOR SKID STEERS

MODEL	ENERGY CLASS	IMPACT RATE (BLOWS PER MIN.)	OIL FLOW (GPM)	TOOL DIAMETER (IN)	MACHINE WEIGHT CLASS	HOST MACHINE
UT225	225	540-1,000	3.97-9.25	1.77	1,600-5,000	Bobcat 463, MT50
						Case 1825B
						Dingo 320-D, 323
						Kanga
						Kubota SCL1000
						New Holland L250, L255
						Thomas 350T
						Vermeer 5450TX, CTX50
						ASV RC-30, RT25, RT40, RT30, RT50
						Bobcat 463, 553, MT-52, MT-55, S70
UT500	500	600-1,490	5.28-18.49	2.24	3,000-8,000	Case 1825B, 40XT, 410, SR160
						Dingo TX427, TX525, TX1000
						Gehl 3725, 3825, 1640E, R105, R135, RT105
						John Deere 312GR, 34G, 316GR, 318G
						Mustang 2012, 2026, 1050R, 1350R
						New Holland LS140
						Vermeer CTX100, S925TX
						ASV RC-30, RT65, RT50, RT60, RS75, RS50, RS60
						Bobcat 553, 753, 763, 773, S175, T140, T180, T190, T110, 5100, T450, T595, S450, S595, T66, T62, T64
						Case 40XT, 60XT, 70XT, 75XT, 410, SR130, SR150, SR160
UT650	650	550-1,300	7.92-18.49	2.75	6,000-12,000	Caterpillar 216, 216B, 226, 226B, 232B, 247B, 239D, 249D, 257D
						Daewoo DSL601
						Doosan 430
						Gehl 3725, 3825, 3635, 3935, 3640E, 4240E, R190, CTL55, R150, R165, R190
						Hyundai HSL650-7A
						JCB 160/HF, 135, 155, 175, 190, 205, 150T, 215
						John Deere 240, 250, 260, 270, 313, 315, 318D, CT315
						Kubota SSV65, SVL75-2
						Mustang 2026, 2041, 2044, 2054, 2056, 1900R, 1500R, 1650R, 1900R, 1750R
						New Holland LS140, LS150, LS160, LS170, L213, L215, L216
						Takeuchi TL130, TL220, TL6R, TL8
						Yanmar S165R, S190R
						Volvo MC60C, MC70C, MC85C, MC95C, MC100C, MC105C, MCT85C
						ASV RC-50, RC-60, SR-70, SR-80, RCV, RC-85, RC-100, VT70, RT75, VS75, RS75
						Bobcat 763, 773, 863, 864, 873, 883, 963, A220, A300, S130, S150, S160, S175, S185, S205, S220, S250, S300, S330, T140, T180, T190, T200, T250, T300, S630, S650, S750, T630, T650, S510, S530, S550, S570, T550, S590, T590, A770, S770, T595, T740, S450, S595, S74C, T66, T76, T62, T64
						Case 40XT, 60XT, 70XT, 75XT, 85XT, 90XT, 95XT, 420CT, 440 CT, 445CT, 450CT, 420, TR310, TR340, TV370, TV450, SR210, SR240, SR270, SV280, 430, 435, 440, 445, 450, 465, SR 175, SR 200, SV 185, TR 270, TR320
Caterpillar 216, 226, 226B, 228, 232B, 236, 236B, 242B, 246, 246B, 248, 252, 252B, 262B, 259B, 279C, 289C, 247B, 277C, 287C						
Daewoo DSL1760XL						
Doosan 440, 450, 460						
Gehl 4635/DX, 5635/DX, 6635/DX, CTL70, CTL80, 364E, 424E, 4640E, 4840E, 5640E, 4240E, R190, R220, R260, V270, V330, RT175, RT210, CTL55, RT185, RT215, V270						
UT850	850	380-1,100	10.03-29.05	2.95	9,000-16,000	ASV RC-50, RC-60, SR-70, SR-80, RCV, RC-85, RC-100, VT70, RT75, VS75, RS75
						Bobcat 763, 773, 863, 864, 873, 883, 963, A220, A300, S130, S150, S160, S175, S185, S205, S220, S250, S300, S330, T140, T180, T190, T200, T250, T300, S630, S650, S750, T630, T650, S510, S530, S550, S570, T550, S590, T590, A770, S770, T595, T740, S450, S595, S74C, T66, T76, T62, T64
						Case 40XT, 60XT, 70XT, 75XT, 85XT, 90XT, 95XT, 420CT, 440 CT, 445CT, 450CT, 420, TR310, TR340, TV370, TV450, SR210, SR240, SR270, SV280, 430, 435, 440, 445, 450, 465, SR 175, SR 200, SV 185, TR 270, TR320
						Caterpillar 216, 226, 226B, 228, 232B, 236, 236B, 242B, 246, 246B, 248, 252, 252B, 262B, 259B, 279C, 289C, 247B, 277C, 287C
						Daewoo DSL1760XL
						Doosan 440, 450, 460
						Gehl 4635/DX, 5635/DX, 6635/DX, CTL70, CTL80, 364E, 424E, 4640E, 4840E, 5640E, 4240E, R190, R220, R260, V270, V330, RT175, RT210, CTL55, RT185, RT215, V270

UtiliTough.com

1425 Wilson Road Newberry, SC 29108

803.597.6890

carmen@utilitough.com, shannon@utilitough.com, frontdesk@utilitough.com



Distributor of agricultural, construction and landscape equipment

ELITE HYDRAULIC BREAKER / HAMMER APPLICATION GUIDE FOR SKID STEERS

MODEL	ENERGY CLASS	IMPACT RATE (BLOWS PER MIN.)	OIL FLOW (GPM)	TOOL DIAMETER (IN)	MACHINE WEIGHT CLASS	HOST MACHINE
UT850	850	380-1,100	10.03-29.05	2.95	9,000-16,000	Hyundai HSL650-7A, HAL850-7A
						JCB 160/HF, 170/HF, 185/HF, 190/HF, 1105/HF, 1100/HF, 155, 175, 190,
						205, 150T, 225, 260, 280, 300, 330, 190T, 205T, 225T, 215, 270, 270T, 215T
						John Deere 240, 250, 260, 270, 317, 320, 325, 328, CT322, 320D, 326D,
						319D, 323D, 324G, 330G, 331G, 333G
						Komatsu SK714-5, SK815-5, SK818-5, SK820-5, SK1020-5, SK1026-5
						Kubota SVL75, CK30-1, CK35-1, SSV65, SSV75, SVL75-2, SVL95
						Mustang 2044, 2054, 2056, 1900R, 2076, 2200R, 2086, 2600R, 2700V,
						3300V, 1750RT, 2100RT, 1900R, 1850RT
						New Holland L150, L160, L160, LS160, L170, LS170, L180, LS180, L185,
						L190, LS190, 0175, C185, C190, L218, L220, L223, C227, C232, C238, L221,
						C234, C237
						Takeuchi TL130, TL150, TL140, TL230, TL240, TS50R, TS50V, TS60R, TS60V,
						TS70R, TS70V, TL10, TS80R2, TS80V2, TL6R, TL8, TL10V2, TL12R2, TL12V2
						Volvo MC60C, MC70C, MCT85C, MC85C, MC95C, MC110C, MC115C,
						MC135C, M100C, MC105C, MCT110D, MCT85C
						Yanmar S165-R, S190R, S220R, S270V, T175, T210
UT1000	1000	380-1,000	11.88-36.98	3.14	9,000-17,600	ASV SR-80, RCV, RC-85, RC-100, RT120, VS75
						Bobcat 963, A300, S220, S250, S300, S330, T250, T300, S770, S850, T750,
						T770, T870, 5630, 5650, T740, S740, A770, T76, T86
						Case 90XT, 95XT, 440, 445, 445CT, 450, 450CT, 465, SR220, SR250, SV250,
						SV300, TR270, TR320, TV380, TR310, TR340, TV370, TV450S, SR270, SV280,
						SV340
						Caterpillar 246B, 252B, 262B, 259B, 279C, 289C, 299D, 257B, 277C, 287C,
						272D, 297D
						Doosan 450, 460
						Gehl 7600/DX, 7800/DX, CTL80, 4640E, 4840E, 5640E, 5640E TURBO, 6660E,
						R220, R260, RT175, RT210, RT250, V270, V330, V400, V420, RT215, RT255,
						VT320
						Hyundai HSL850-7A
						JCB 190/HF, 1110/HF, 225, 260, 280, 300, 330, 260T, 300T, 320T,
						270, 300, 215T, 300T, 320T, 3257
						John Deere 325, 328, 332, CT332, 328D, 332D, 329D, 333D, 329E, 333E
						Komatsu SK818-5, SK820-5, SK1020-5, SK1026-5, CK30-1, CK35-1
						Kubota SVL90, SSV75, SVL995-2
						Mustang 2076, 2200R, 2086, 2600R, 2700V, 3300V, 4000V, 1750RT, 2100RT,
						2500RT, 4200V, 1850RT, 2150RT, 2550RT, 3200VT
						New Holland LS190, L150, L160, L170, L175, L180, L185, L190, C175, C185,
						C190, L225, L230, C227, C232, C238, L228, C234, C237, C245
						Takeuchi TL150, TL250, TS50V, TS60V, TS70R, TS70V, TL10, TL12, TL10V2
						Volvo MC110C, MC115C, MC135C, MCT125C, MCT135C, MCT110D
						Yanmar S220R, S270V, T175, T210

Utilitough.com

1425 Wilson Road Newberry, SC 29108

803.597.6890

carmen@utilitough.com, shannon@utilitough.com, frontdesk@utilitough.com



UTILITOUGH

Premium Hydraulic Breaker & Attachments Section



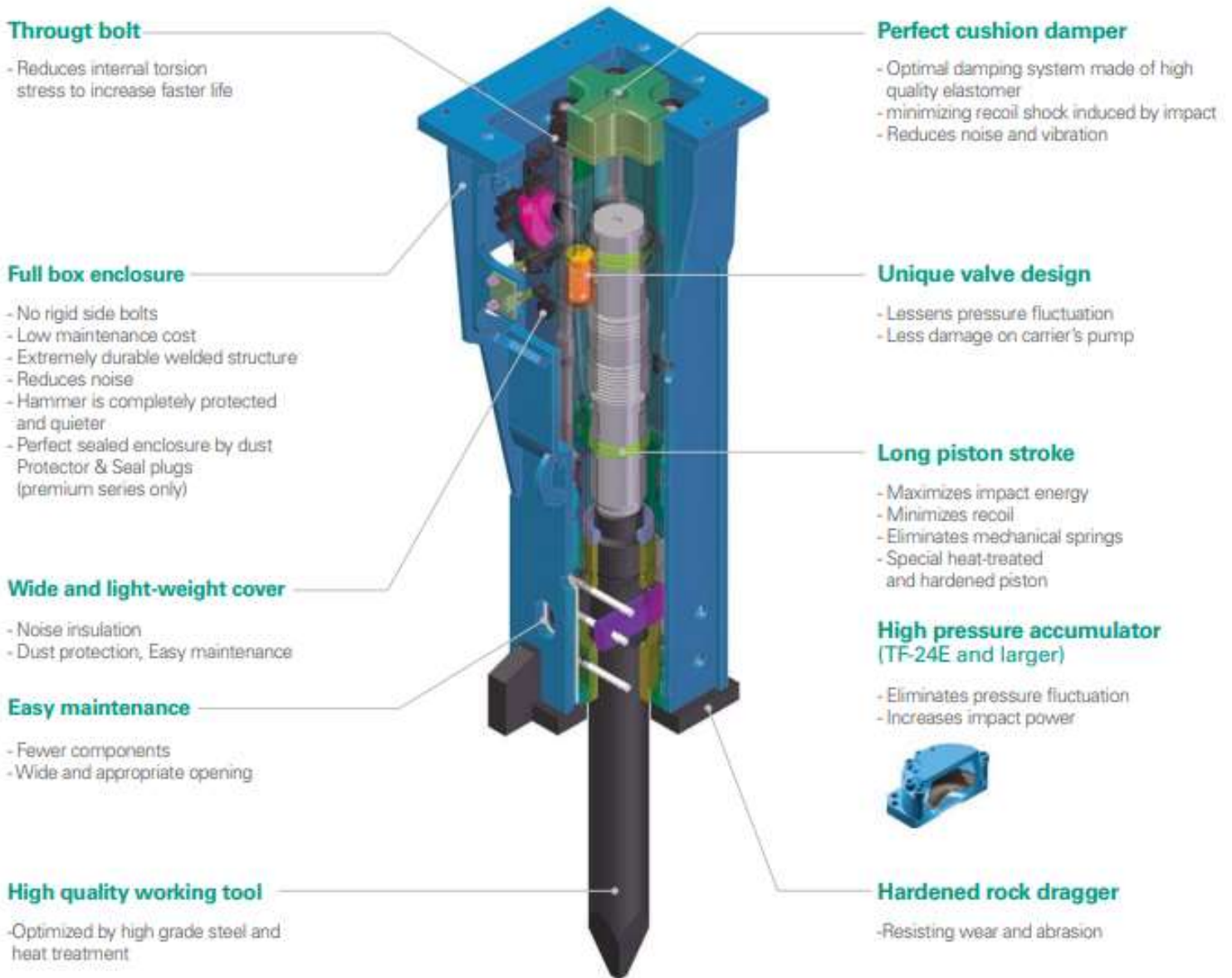
POWER. PRODUCTIVITY. PROVEN PERFORMANCE.



Distributor of agricultural, construction and landscape equipment

Premium Series Internal Components and Features

ADVANCED TECHNOLOGY



Utilitough.com
 1425 Wilson Road Newberry, SC 29108
 803.597.6890

carmen@utilitough.com, shannon@utilitough.com, frontdesk@utilitough.com



Distributor of agricultural, construction and landscape equipment

Premium Series Hydraulic Breakers

- 2 chisel tools come standard
- Gas charging kit included
- 1 year warranty
- Warranty does not include wear parts



MODEL		TF-01E	TF-02E	TF-03E	TF-04E	TF-05E	TF-06E
Impact Energy Class	ft lb	230	250	390	510	730	1,100
Operating Weight	lb	234	234	393	512	758	990
Overall Length	in	44.7	44.7	49.6	51	64	72.4
Required Oil Flow	lpm	15-25	20-35	25-35	30-50	35-65	45-90
	gpm	4.06-6.6	5.3-90.2	6.6-9.2	7.9-13.2	9.2-17	12-24
Operating Pressure	bar	90-110	70-100	90-110	110-140	140-170	140-170
	psi	1305-1595	1015-1450	1305-1595	1595-2031	2031-2466	2031-2466
Blow Rate	bpm long	600-1,200	700-1,200	650-1,100	800-1,200	500-1,000	500-900
	bpm short						
Tool Diameter	in	1.77	1.77	1.97	2.17	2.68	2.95
Suitable Carrier	ton	.7-2.5	1.0-4.0	1.5-4.5	2.5-6.0	3.5-8.0	5-11
	lb	1,400-5,000	2,000-8,000	3,000-9,000	5,000-12,000	7,000-16,000	10,000-22,000

Warning: Chisel paste must be used with hydraulic breakers. Using high-temperature grease as substitution for chisel paste will cause damage to components of breaker. Weights may differ based on selected mount styles. Prices and specifications subject to change without notice.



Distributor of agricultural, construction and landscape equipment

Premium Series Hydraulic Breakers

- 2 chisel tools come standard
- Gas charging kit included
- 1 year warranty
- Warranty does not include wear parts



MODEL		TF-10E	TF-13E	TF-24E	TF-31E	TF-40E	TF-50E	TF-70E	TF-85E	TF-100E
Impact Energy Class	ft lb	1,900	2,500	3,800	6,400	9,300	12,000	15,000	18,000	20,000
	lb	1,111	1,840	3,726	5,086	6,583	8,324	14,881	18,644	23,149
Overall Length	in	78.1	87.2	109	121.1	133.1	145.9	166.8	180.9	186.5
Required Oil Flow	lpm	60-110	80-140	130-180	170-240	200-280	230-330	320-420	380-480	410-55
	gpm	16-29	21-37	34-48	45-63	53-74	61-87	85-111	100-127	108-140
Operating Pressure	bar	150-170	160-180	150-180	150-185	165-185	165-185	165-185	165-185	165-185
	psi	2176-2466	2321-2600	2176-2611	2176-2683	2393-2683	2393-2683	2393-2683	2393-2683	2393-2683
Blow Rate	bpm long	400-850	450-750	330-500	310-450	300-410	250-370	240-350	240-350	368-347
	bpm short			450-600	400-560	380-540	300-420	330-400	335-425	362-470
Tool Diameter	in	3.66	3.9	5.31	5.91	6.5	6.89	8	8.86	9.6
	ton	7-15	12-20	18-30	26-35	32-45	40-70	60-110	85-140	85-140
Suitable Carrier	ton	14,000-30,000	24,000-40,000	36,000-60,000	52,000-70,000	64,000-90,000	80,000-140,000	120,000-220,000	170,000-280,000	170,000-280,000
	lb									

Warning: Chisel paste must be used with hydraulic breakers. Using high-temperature grease as substitution for chisel paste will cause damage to components of breaker. Weights may differ based on selected mount styles. Prices and specifications subject to change without notice.



Distributor of agricultural, construction and landscape equipment

Premium Series Compactor

- Simple and adaptable mounting frame
- Hose protection by mono hose block
- Elastic cushion rubber
- Powerful gear motor
- Double- check valve



MODEL		TV05A	TV10A	TV15	TV20	TV30
Impluse Force Weight	lb	3,700	7,100	14,100	24,700	38,100
Weight	lb	575	948	1,519	2,412	3,311
Width	in	17.3	24	29.1	33.9	39.4
Base Plate (W x L)	in	17.6 x 18.1	24 x 20	29.1 x 41.3	33.9 x 47.2	39.4 x 51.2
Compaction Area	ft ²	3.4	5.6	8.4	11.1	14.0
Required Oil Flow	gpm	11.9-17.2	13.2-31.7	21.1-30.6	29.1-42.8	42.3-58.1
Max Cycle Per Minute	gpm	555	528	528	528	528
Operating Pressure	free load psi	435-725	435-725	435-725	435-725	735-725
	with load psi	1,450-3,191	1,450-2,002	1,450-2,002	1,450-2,002	1,450-2,002
Suitable Carrier	lb	9,000-13,000	13,000-22,000	24,000-35,000	37,000-55,000	57,000-88,000



Distributor of agricultural, construction and landscape equipment

Premium Series Grab

- Designed for selective demolition, sorting of recyclable material and loading of various materials
- Easy maintenance and repair
- Stopper is located on the body, and it reduces the cylinder when grabs are open

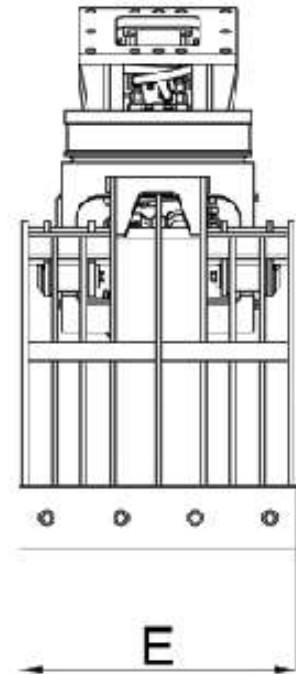
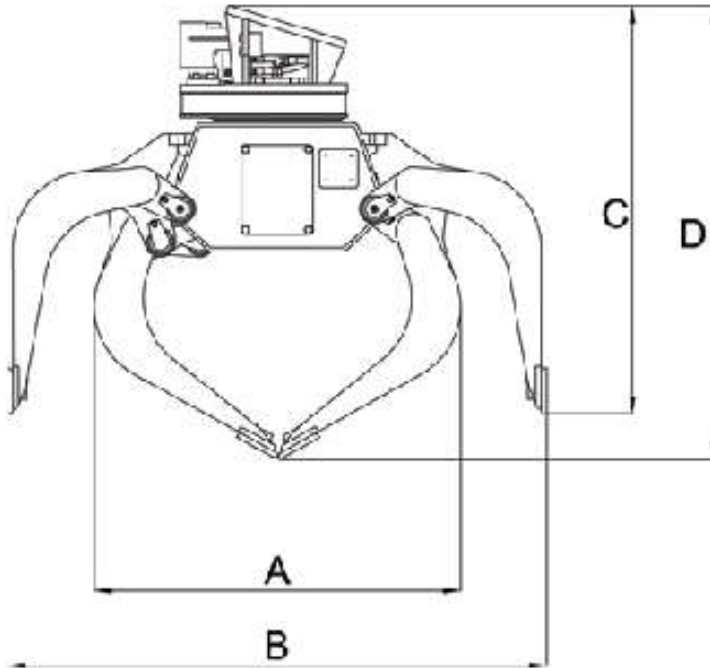


Model		EPG03	EPG05	EPG08	EPG14	EPG20	EPG30
Number of Cylinders		1	1	1	1	1	2
Carrier Weight	ton	3.3-4.4	4.4-8.8	7.7-11	12.1-17.6	19.8-26.6	27.6-41.9
	lb	6,600-8,800	8,800-17,600	15,400-22,000	24,200-35,200	39,600-53,200	55,200-83,800
Operating Weight	lb	585	906	1,213	2,315	3,137	5,016
Max Closing Force	ton	1.9	2.8	3.5	5.1	6.3	10.1
Oil Flow Rate	gpm	2.6-7.9	5.3-15.9	5.3-15.9	10.6-21.1	15.9-31.7	21.1-42.3
Pressure	bar	270	300	300	350	350	350
	psi	3,916	4,351	4,351	5,076	5,076	5,076
Capacity	liter	100	230	320	450	750	1,100
	gal	26.4	60.8	84.5	118.9	198.1	290.6



Distributor of agricultural, construction and landscape equipment

Premium Series Grab Specifications



Dimensions	EPG03	EPG05	EPG08	EPG14	EPG20	EPG30
A	31.57 in	35.28 in	41.65 in	47.32 in	54.84 in	60.28 in
	802 mm	896 mm	1,058 mm	1,202 mm	1,393 mm	1,531 mm
B	46.54 in	51.57 in	61.06 in	68.82 in	80.71 in	89.96 in
	1,182 mm	1,310 mm	1,551 mm	1,748 mm	2,050 mm	2,285 mm
C	37.36 in	45.79 in	52.60 in	52.17 in	57.44 in	62.95 in
	949 mm	1,163 mm	1,336 mm	1,325 mm	1,459mm	1,599 mm
D	40.08 in	42.99 in	484.50 in	55.79 in	61.93 in	68.58 in
	1,018 mm	1,092 mm	1,232 mm	1,417 mm	1,573 mm	1,742 mm
E	17.72 in	22.05 in	25.60 in	35.43 in	39.37 in	49.21 in
	450 mm	560 mm	650 mm	900 mm	1,000 mm	1,250 mm



Distributor of agricultural, construction and landscape equipment

Premium Series Multi Processors

- Designed for selective demolition, sorting of recyclable material and loading of various materials
- Multi-Processor has six types of interchangeable jaw sets mounted on a single base unit
- Easy maintenance and repair
- Stopper is located on the body, and it reduces the cylinder when grabs are open



Model	Jaw Type	Carrier Weight lbs	Working Weight lbs	Overall Length In	Overall Width in	Max Jaw Opening in	Cutter Blade Length in	Required Oil Flow GPM	Max Operating Pressure Bar (PSI)	Cutting Force Tons (lbs)	Hyd. Swivel Motor	Speed Up Valve
TC22	C	44,000-62,000	4,497	91	57	36	9	40-66	320 (4,641)	75 (150,000)	All	All
	D		4,519	90	54	31	14			77 (154,000)		
	P		4,872	92	59	35	9			71 (141,000)		
	S		4,145	85	42	20	14			88 (176,000)		
	U		5,181	89	47	24	18			90 (179,000)		
	MS		4,497	84	43	21	19			96 (192,000)		
TC32	C	61,000-79,000	6,680	100	66	44	9	53-79	320 (4,641)	105 (209,000)	All	All
	D		6,616	101	61	39	18			112 (223,000)		
	P		6,900	101	65	40	9			115 (229,000)		
	S		6,592	101	52	23	22			115 (229,000)		
	U		7,275	106	59	29	24			122 (243,000)		
TC40	S	79,000-104,000	9,700	129	63	27	24	74-95	320 (4,641)	179 (357,000)	All	All
	P		10,540	117	75	47	10			183 (366,000)		
	C		10,349	111	78	50	10			176 (351,000)		
	MS		10,126	116	63	28	31			191 (381,000)		
	D		10,219	121	74	48	20			174 (348,000)		



Distributor of agricultural, construction and landscape equipment

Premium Series Multi Processors

- Designed for selective demolition, sorting of recyclable material and loading of various materials
- Multi-Processor has six types of interchangeable jaw sets mounted on a single base unit
- Easy maintenance and repair
- Stopper is located on the body, and it reduces the cylinder when grabs are open



JAWTYPE



C - Crushing



D - Demolition



P - Pulverizing



S - Shearing



U - Universal



MS - Mobile shearing

Utilitough.com

1425 Wilson Road Newberry, SC 29108

803.597.6890

carmen@utilitough.com, shannon@utilitough.com, frontdesk@utilitough.com



Distributor of agricultural, construction and landscape equipment

Premium Series Pulverizer (Fixed & Rotatable Type)

- Designed for both primary demolition work, secondary concrete reduction material sorting



FIXED TYPE
 Tooth bolting style
 Hardened teeth
 Reversible blades
 Cracking tooth
 Integrated speed-up valve
 Trunnion type cylinder



ROTATABLE TYPE
 Hydraulic 360° rotation unit
 Trunnion-supported type cylinder
 Reversible blades
 Integrated speed-up valve
 Wide jaw opening
 Hardened teeth

Model	Carrier Weight lbs	Working Weight lbs	Overall Length in	Jaw Width in	Max Jaw Opening in	Cutter Blade Length in	Required Oil Flow GPM	Max Operating Pressure Bar (PSI)	Cutting Force Tons (lbs)	Speed Up Valve
FIXED TYPE										
TP16	29,000-44,000	2425	66	15/13	27	9.4	26-48	320 (4,641)	56 (112,000)	
TP19	35,000-55,000	3003	78	17/14	29	9.4	40-66		60 (119,000)	Standard
TP22	44,000-62,000	4167	86	19/14	35	14.2	39-66		71 (141,000)	Standard
TP32	62,000-79,000	6052	93	21/15	41	18.9	53-79		86 (172,000)	Standard

Model	Carrier Weight lbs	Working Weight lbs	Overall Length in	Jaw Width in	Max Jaw Opening in	Cutter Blade Length in	Required Oil Flow GPM	Max Operating Pressure Bar (PSI)	Cutting Force Tons (lbs)	Speed Up Valve
ROTATABLE TYPE										
TP16R	29,000-35,000	2756	72	15/14	28	9.4	26-48	320 (4,641)	56 (112,000)	
TP20R	37,000-55,000	3889	82	17/14	30	9.4	40-66		62 (123,000)	Standard
TP25R	44,000-60,000	5071	97	19/14	36	14.2	40-66		74 (148,000)	Standard
TP35R	62,000-79,000	6504	105	21/15	42	14.2	53-798		86 (172,000)	Standard

UTILITOUGH

Essential Hydraulic Breaker Section



POWER. PRODUCTIVITY. PROVEN PERFORMANCE.



Distributor of agricultural, construction and landscape equipment

Essential Series Hydraulic Breakers

- 2 chisel tools come standard
- Gas charging kit included
- Includes common quick attach / common pin on mounting bracket
- 1 year warranty
- Warranty does not include wear parts



MODEL		DS225	DS500	DS650	DS850	DS1000	DS1800
Impact Energy Class	ft lb	200	500	590	1,000	1,435	2,350
Operating Weight	lb	342	417	761	946	1,482	2,130
Required Oil Flow	gpm	5.28-7.93	606-13.21	10.51-18.49	13.21-23.78	15.85-26.24	21.13-29.06
Operating Pressure	psi	1,280-1,706	1,280-1,706	1,565-1,991	1,706-2,133	1,849-2,276	2,133-2,418
Blow Rate	bpm long	700-1200	600-1,100	500-900	400-800	400-800	350-700
Tool Diameter	in	1.77	2.09	2.68	2.95	3	3.94
Suitable Carrier	ton	1.2-3	2.5-4.5	4-7	6-9	7-14	10-15
	lb	2,400-6,000	5,000-8,000	8,000-14,000	12,000-18,000	14,000-28,000	20,000-30,000

Warning: Chisel paste must be used with hydraulic breakers. Using high-temperature grease as substitution for chisel paste will cause damage to components of breaker. Weights may differ based on selected mount styles. Prices and specifications subject to change without notice.



Distributor of agricultural, construction and landscape equipment

Essential Series Hydraulic Breakers

- 2 chisel tools come standard
- Gas charging kit included
- Includes common quick attach / common pin on mounting bracket
- 1 year warranty
- Warranty does not include wear parts



MODEL		DS2800	DS4000	DS6000	DS11000	DS16000	DS18000
Impact Energy Class	ft lb	3,300	3,150	4,520	8,482	11,480	15,551
Operating Weight	lb	3,120	3,843	5,183	7,017	8,353	11,522
Required Oil Flow	gpm	34.34-39.63	34.34-39.63	39.63-50.19	52.83-66.04	52.83-68.68	63.4-79.25
Operating Pressure	psi	2,276-2,560	2,276-2,560	2,276-2,560	2,276-2,845	2,560-3,987	2,560-3,414
Blow Rate	bpm long	400-600	400-600	350-700	250-380	200-350	180-250
Tool Diameter	in	3.94	5.31	5.9	6.49	6.88	7.28
Suitable Carrier	ton	15-18	18-26	27-35	30-40	35-45	40-55
	lb	30,000-36,000	36,000-52,000	54,000-70,000	60,000-80,000	70,000-90,000	80,000-110,000

Warning: Chisel paste must be used with hydraulic breakers. Using high-temperature grease as substitution for chisel paste will cause damage to components of breaker. Weights may differ based on selected mount styles. Prices and specifications subject to change without notice.



UTILITOUGH

Auger and Trencher Section



POWER. PRODUCTIVITY. PROVEN PERFORMANCE.



Distributor of agricultural, construction and landscape equipment

Mini Skid Steer Auger Drives – Single Speed

- Compact high torque gearbox
- 2 Piece shaft design ensures maximum side load ratings without increasing load on bearings
- Easy knock in and out teeth requires no special tools
- Efficient cutting head design and optimum flight pitches to provide maximum soil removal in all ground conditions



Model	1ADMN1MDS
Torque Ft-Lbs @ 3000 PSI	2119
Recommended Flow	6-16 GPM
Motor Type	Eaton
Max Pressure	3000 PSI @ 11 GPM
Max Flow	15 GPM @ 2300 PSI
Max HP	20
Pressure Relief Valve	Optional
Standard Output Shaft	2" Hex
Recommended Auger	A4/RC4
Max Drilling Diameter Clay/Shale	12"
Max Drilling Earth	24"
Weight (lbs)	72
Overall Length	16.6"
Diameter	8"

Output Speed		Output Torque	
GPM	RPM	PSI	Ft-Lbs
6	26	1,500	1,060
8	35	1,700	1,201
10	43	1,900	1,342
12	52	2,100	1,484
14	61	2,300	1,625
16	69	2,500	1,766
		2,700	1,907
		2,900	2,049



Distributor of agricultural, construction and landscape equipment

Skid Steer Auger Drives – Single Speed (2,000-5,000 lb Machines)

- Compact high torque gearbox
- 2 Piece shaft design ensures maximum side load ratings without increasing load on bearings
- Easy knock in and out teeth requires no special tools
- Efficient cutting head design and optimum flight pitches to provide maximum soil removal in all ground conditions



1AD1DSS

Output Speed		Output Torque	
GPM	RPM	PSI	Ft-Lbs
6	38	1,500	734
8	50	1,700	832
10	63	1,900	929
12	75	2,100	1,027
14	88	2,300	1,125
16	100	2,500	1,223
		2,700	1,321
		2,900	1,418

1AD2DSS

Output Speed		Output Torque	
GPM	RPM	PSI	Ft-Lbs
10	41	1,500	1,127
12	49	1,700	1,277
14	57	1,900	1,428
16	65	2,100	1,578
18	73	2,300	1,728
20	82	2,500	1,878
22	90	2,700	2,029
24	98	2,900	2,179

Model	1AD1DSS	1AD2DSS
Torque Ft-Lbs @ 3000 PSI	1,467	2,254
Max Torque Ft-Lbs @ 3500 PSI	1,712	2,630
Recommended Flow	6-16 GPM	10-26 GPM
Motor Type	Eaton	Eaton
Max Pressure	3000 PSI @ 16 GPM	
Max Flow	30 GPM @ 1800 PSI	
Max HP	33	33
Standard Output Shaft	2" Hex	2" Hex
Recommended Auger	A4/RC4	A4/RC4
Max Drilling Diameter Clay/Shale	12"	24"
Max Drilling Earth	24"	30"
Weight (lbs)	101	123
Overall Length	24.5"	25.9"
Diameter	7.4"	9.4"



Distributor of agricultural, construction and landscape equipment

Skid Steer Auger Drives – Single Speed (5,000-7,600 lb Machines)

- Compact high torque gearbox
- 2 Piece shaft design ensures maximum side load ratings without increasing load on bearings
- Easy knock in and out teeth requires no special tools
- Efficient cutting head design and optimum flight pitches to provide maximum soil removal in all ground conditions



Model	1AD3DSS	1AD4DSS	1AD4DDS
Torque Ft-Lbs @ 3000 PSI	2,829	3,275	3,583
Max Torque Ft-Lbs @ 3500 PSI	3,300	3,821	4,180
Recommended Flow	10-30 GPM	10-30 GPM	10-36 GPM
Motor Type	Eaton	Eaton	Eaton
Max Pressure	3000 PSI @ 16 GPM		3500 PSI @ 27 GPM
Max Flow	30 GPM @ 1800 PSI		42 GPM @ 3100 PSI
Max HP	34	34	55
Pressure Relief Valve	NA	NA	Included
Standard Output Shaft	2" Hex	2" Hex	2" Hex
Recommended Auger	A4/RC4	A4/RC4	A4/RC4
Max Drilling Diameter Clay/Shale	24"	24"	24"
Max Drilling Earth	30"	30"	40"
Weight (lbs)	123	125	180
Overall Length	25.9"	25.9"	29"
Diameter	9.4"	9.4"	9.4"



Distributor of agricultural, construction and landscape equipment

Skid Steer Auger Drives – Single Speed (5,000-7,600 lb Machines)

Output Speed & Torque specs



1AD3DSS

1AD4DSS

1AD4DDS

1AD3DSS				1AD4DSS				1AD4DDS			
Output Speed		Output Torque		Output Speed		Output Torque		Output Speed		Output Torque	
GPM	RPM	PSI	Ft-Lbs	GPM	RPM	PSI	Ft-Lbs	GPM	RPM	PSI	Ft-Lbs
10	33	1,500	1,414	10	28	1,500	1,638	8	22	1,500	1,791
12	39	1,700	1,603	12	34	1,700	1,856	13	32	1,700	2,030
14	46	1,900	1,792	14	39	1,900	2,074	17	43	1,900	2,269
16	52	2,100	1,980	16	45	2,100	2,293	21	54	2,100	2,508
18	59	2,300	2,169	18	51	2,300	2,511	25	65	2,300	2,747
20	65	2,500	2,357	20	56	2,500	2,730	29	75	2,500	2,986
22	72	2,700	2,546	22	62	2,700	2,948	34	86	2,700	3,225
24	78	2,900	2,735	24	67	2,900	3,166	38	97	2,900	3,463
26	85	3,100	2,923	26	73	3,100	3,385	42	108	3,100	3,702
28	91	3,300	3,112	28	79	3,300	3,603			3,300	3,941
30	98	3,500	3,300	30	84	3,500	3,821			3,500	4,180



Distributor of agricultural, construction and landscape equipment

Skid Steer Auger Drives – Single Speed High Flow

- Compact high torque gearbox
- 2 Piece shaft design ensures maximum side load ratings without increasing load on bearings
- Easy knock in and out teeth requires no special tools
- Efficient cutting head design and optimum flight pitches to provide maximum soil removal in all ground conditions



Model	1AD4DDS	1AD5DDS	1AD6DDS
Torque Ft-Lbs @ 3000 PSI	3,583	3,903	4,909
Max Torque Ft-Lbs @ 3500 PSI	4,180	4,553	5,728
Recommended Flow	10-36 GPM	10-36 GPM	10-36 GPM
Motor Type	Eaton	Eaton	Eaton
Max Pressure	3500 PSI @ 27 GPM		
Max Flow	42 GPM @ 3100 PSI	55 GPM @ 1700 PSI	
Max HP	55	55	55
Pressure Relief Valve	Included	Included	Included
Standard Output Shaft	2" Hex	2.5" Hex	2.5" Hex
Recommended Auger	A4/RC4	A6/RC6	A6/RC6
Max Drilling Diameter Clay/Shale	24"	24"	30"
Max Drilling Earth	40"	40"	40"
Weight (lbs)	180	290	290
Overall Length	29"	33.7"	33.7"
Diameter	9.4"	11.4"	11.4"



Distributor of agricultural, construction and landscape equipment

Skid Steer Auger Drives – Single Speed High Flow

Output Speed & Torque specs



1AD4DDS

Output Speed		Output Torque	
GPM	RPM	PSI	Ft-Lbs
8	22	1,500	1,791
13	32	1,700	2,030
17	43	1,900	2,269
21	54	2,100	2,508
25	65	2,300	2,747
29	75	2,500	2,986
34	86	2,700	3,225
38	97	2,900	3,463
42	108	3,100	3,702
		3,300	3,941
		3,500	4,180

1AD5DDS

Output Speed		Output Torque	
GPM	RPM	PSI	Ft-Lbs
10	24	1,500	1,951
14	33	1,700	2,212
18	42	1,900	2,472
22	52	2,100	2,732
26	61	2,300	2,992
30	71	2,500	3,252
34	80	2,700	3,513
36	85	2,900	3,773
		3,100	4,033
		3,300	4,293
		3,500	4,553

1AD6DDS

Output Speed		Output Torque	
GPM	RPM	PSI	Ft-Lbs
12	22	1,500	2,455
16	30	1,700	2,782
20	37	1,900	3,109
24	45	2,100	3,437
28	52	2,300	3,764
32	60	2,500	4,091
36	67	2,700	4,418
		2,900	4,746
		3,100	5,073
		3,300	5,400
		3,500	5,728

Utilitough.com

1425 Wilson Road Newberry, SC 29108

803.597.6890

carmen@utilitough.com, shannon@utilitough.com, frontdesk@utilitough.com



Distributor of agricultural, construction and landscape equipment

Skid Steer Auger Drives – Two Speed High Flow

- Compact high torque gearbox
- Extreme duty shaft locking system
- Integrated pressure relief valve
- Easy knock in and out teeth requires no special tools



LOW SPEED - HIGH TORQUE

Ideal for drilling with large diameter augers or hard fractur-able rock

HIGH SPEED - LOW TORQUE

Ideal for small diameter augers or softer soils where speed is needed

Model	1AD5DDT	1AD6DDT
Torque Ft-Lbs @ 3000 PSI	4,067	5,012
Max Torque Ft-Lbs @ 3500 PSI	4,745	5,847
Recommended Flow	10-36 GPM	10-36 GPM
Motor Type	Eaton	Eaton
Max Pressure	3500 PSI @ 27 GPM	
Max Flow	53 GPM @ 1800 PSI	
Max HP	55	55
Pressure Relief Valve	Included	Included
Standard Output shaft	2.5" Hex	2.5" Hex
Recommended Auger	A6/RC6	A6/RC6
Max Drilling Diameter Clay/shale	24"	30"
Max Drilling Earth	40"	40"
Weight (lbs)	350	350
Overall Length	34.4"	34.4"
Diameter	13.4"	13.4"



Distributor of agricultural, construction and landscape equipment

Skid Steer Auger Drives – Two Speed High Flow

Output Speed & Torque specs



1AD5DDT

Output Speed

Output Torque

GPM	Output Speed		PSI	Output Torque	
	Hi Torque Low Speed	Lo Torque High Speed		Hi Torque Low Speed	Lo Torque High Speed
10	23	34	1,000	1,356	895
20	45	69	1,500	2,034	1,342
30	68	103	2,000	2,711	1,790
36	81	123	2,500	3,389	2,237
			3,000	4,067	2,684
			3,500	4,745	3,132

1AD6DDT

Output Speed

Output Torque

GPM	Output Speed		PSI	Output Torque	
	Hi Torque Low Speed	Lo Torque High Speed		Hi Torque Low Speed	Lo Torque High Speed
10	18	28	1,000	1,671	1,103
20	37	56	1,500	2,506	1,654
30	55	83	2,000	3,341	2,205
36	66	100	2,500	4,177	2,757
			3,000	5,012	3,308
			3,500	5,847	3,859



Distributor of agricultural, construction and landscape equipment

General Purpose Auger

- Dig hold in earth conditions and clay
- Available Size, 6" to 60"
- 60" Overall length
- Earth and Tungsten Teeth Available



Combination Rock & Earth Auger

- Dig hold in earth conditions, clay, asphalt, concrete, and fractur-able rock
- All purpose cutting heads - no more interchanging cutting heads & using multiple augers
- Available Size, 6" to 60"
- 60" Overall length



UtiliTough.com

1425 Wilson Road Newberry, SC 29108

803.597.6890

carmen@utilitough.com, shannon@utilitough.com, frontdesk@utilitough.com



Distributor of agricultural, construction and landscape equipment

Mini Skid Steer Trencher

- Ideal for pipe laying for irrigation, underground power and communications, road repairs and general construction
- Provides minimal ground disturbance
- Adjustable skid foot to maintain constant digging depth
- Up to 36" digging depth and 8" digging width
- 3 different chain options available
- Includes hoses, couplers, crumber bar and mount



Model #	1TRMN900
Cutting Depth	up to 36"
Cutting Widths	4"/6"/8"
Foot Depth Presets	18"/24"/30"/36"
Recommended Flow	10-25 GPM
Motor Type	2K Bell Eaton
Max Pressure	3500 PSI @ 16GPM
Max Flow	25 GPM @ 2900 PSI
Max Continuous Power	34 HP
Length	74"
Horizontal Height	32"
Width	38"
Est. Weight	320

3 Ft depth, 1-5/8" pitch chain, recommended flow 10-25 GPM

EARTH

Cup tooth on every second station



COMBINATION

Combination of earth & tungsten teeth



TUNGSTEN

Full tungsten teeth on every station



Model #	Description
1TRMN900-A1	4" Earth Chain
1TRMN900-A2	6" Earth Chain
1TRMN900-A3	8" Earth Chain
1TRMN900-B1	4" Combo Chain
1TRMN900-B2	6" Combo Chain
1TRMN900-B3	8" Combo Chain
1TRMN900-C1	4" Tungsten Chain
1TRMN900-C2	6" Tungsten Chain
1TRMN900-C3	8" Tungsten Chain



Distributor of agricultural, construction and landscape equipment

Skid Steer Trencher (2,400-7,000 lb Machines)

- Ideal for pipe laying for irrigation, underground power and communications, road repairs and general construction
- Provides minimal ground disturbance
- Adjustable skid foot to maintain constant digging depth
- Frame can be side shifted for digging close to permanent structures
- Includes hoses, couplers, and crumber bar
- Mount sold separately



3 Ft depth, 1-5/8" pitch chain, recommended flow 13-25 GPM

Model #	1TR900
Cutting Depth	up to 36"
Cutting Widths	4"/6"/8"
Foot Depth Presets	24"/30"/36"
Recommended Flow	13-25 GPM
Motor Type	2K Bell Eaton
Max Pressure	3500 PSI @ 16GPM
Max Flow	25 GPM @ 2900 PSI
Max Continuous Power	34 HP
Length	76"
Horizontal Height	26"
Width	48"
Est. Weight	575

EARTH

Cup tooth on every second station



COMBINATION

Combination of earth & tungsten teeth



TUNGSTEN

Full tungsten teeth on every station



Model #	Description
1TR900-A1	4" Earth Chain
1TR900-A2	6" Earth Chain
1TR900-A3	8" Earth Chain
1TR900-B1	4" Combo Chain
1TR900-B2	6" Combo Chain
1TR900-B3	8" Combo Chain
1TR900-C1	4" Tungsten Chain
1TR900-C2	6" Tungsten Chain
1TR900-C3	8" Tungsten Chain

Utilitough.com

1425 Wilson Road Newberry, SC 29108

803.597.6890

carmen@utilitough.com, shannon@utilitough.com, frontdesk@utilitough.com



Distributor of agricultural, construction and landscape equipment

Skid Steer Trencher

- Ideal for pipe laying for irrigation, underground power and communications, road repairs and general construction
- Provides minimal ground disturbance
- Adjustable skid foot to maintain constant digging depth
- Frame can be side shifted for digging close to permanent structures
- Includes hoses, couplers, and crumber bar



Model #	1TRXD900	1TRXD1200	1TRXD1200HF	1TRXD1500HF
Cutting Depth	up to 36"	up to 48"	up to 48"	up to 60"
Cutting Widths	6"/8"/10"/12"	6"/8"/10"/12"	6"/8"/10"/12"	6"/8"/10"/12"
Foot Depth Presets	18"/24"/30"/36"	24"/32"/40"/48"	24"/32"/40"/48"	30"/40"/48"/60"
Recommended Flow	16-30 GPM		28-45 GPM	
Motor Type	2K Bell Eaton	2K Bell Eaton	6K Bell Eaton	6K Bell Eaton
Max Pressure	3500 PSI @ 16GPM		3500 PSI @ 34 GPM	
Max Flow	25 GPM @ 2900 PSI		45 GPM @ 2800 PSI	
Max Continuous Power	34HP	34HP	67HP	67HP
Length	76"	100"	100"	106"
Horizontal Height	26"	31"	31"	33"
Width	48"	48"	48"	45"
Est. Weight	855	893	935	1016



Distributor of agricultural, construction and landscape equipment

Skid Steer Trencher

3 Ft depth, 2" pitch chain,
recommended flow 16-30 GPM



Model #	Description
1TRXD900-A1	6" Earth Chain
1TRXD900-A2	8" Earth Chain
1TRXD900-A3	10" Earth Chain
1TRXD900-A4	12" Earth Chain
1TRXD900-B1	6" Combo Chain
1TRXD900-B2	8" Combo Chain
1TRXD900-B3	10" Combo Chain
1TRXD900-B4	12" Combo Chain
1TRXD900-C1	6" Tungsten Chain
1TRXD900-C2	8" Tungsten Chain
1TRXD900-C3	10" Tungsten Chain
1TRXD900-C4	12" Tungsten Chain

Model #	Description
1TRXD1200-A1	6" Earth Chain
1TRXD1200-A2	8" Earth Chain
1TRXD1200-A3	10" Earth Chain
1TRXD1200-A4	12" Earth Chain
1TRXD1200-B1	6" Combo Chain
1TRXD1200-B2	8" Combo Chain
1TRXD1200-B3	10" Combo Chain
1TRXD1200-B4	12" Combo Chain
1TRXD1200-C1	6" Tungsten Chain
1TRXD1200-C2	8" Tungsten Chain
1TRXD1200-C3	10" Tungsten Chain
1TRXD1200-C4	12" Tungsten Chain

EARTH

Cup tooth on every second station



COMBINATION

Combination of earth & tungsten teeth



TUNGSTEN

Full tungsten teeth on every station



Utilitough.com

1425 Wilson Road Newberry, SC 29108

803.597.6890

carmen@utilitough.com, shannon@utilitough.com, frontdesk@utilitough.com



Distributor of agricultural, construction and landscape equipment

Skid Steer Trencher

4 Ft depth, 2" pitch chain,
recommended flow 16-30 GPM



Model #	Description
1TRXD900-D1	6" Earth Chain
1TRXD900-D2	8" Earth Chain
1TRXD900-D3	10" Earth Chain
1TRXD900-D4	12" Earth Chain
1TRXD900-E1	6" Combo Chain
1TRXD900-E2	8" Combo Chain
1TRXD900-E3	10" Combo Chain
1TRXD900-E4	12" Combo Chain
1TRXD900-F1	6" Tungsten Chain
1TRXD900-F2	8" Tungsten Chain
1TRXD900-F3	10" Tungsten Chain
1TRXD900-F4	12" Tungsten Chain

Model #	Description
1TRXD1200-D1	6" Earth Chain
1TRXD1200-D2	8" Earth Chain
1TRXD1200-D3	10" Earth Chain
1TRXD1200-D4	12" Earth Chain
1TRXD1200-E1	6" Combo Chain
1TRXD1200-E2	8" Combo Chain
1TRXD1200-E3	10" Combo Chain
1TRXD1200-E4	12" Combo Chain
1TRXD1200-F1	6" Tungsten Chain
1TRXD1200-F2	8" Tungsten Chain
1TRXD1200-F3	10" Tungsten Chain
1TRXD1200-F4	12" Tungsten Chain

EARTH

Cup tooth on every second station



COMBINATION

Combination of earth & tungsten teeth



TUNGSTEN

Full tungsten teeth on every station



Utilitough.com

1425 Wilson Road Newberry, SC 29108

803.597.6890

carmen@utilitough.com, shannon@utilitough.com, frontdesk@utilitough.com



Distributor of agricultural, construction and landscape equipment

Skid Steer Trencher – High Flow

4 Ft depth, 2” pitch chain,
recommended flow 28-45 GPM



Model #	Description
1TRXD1200HF-E1	6" Combo Chain
1TRXD1200HF-E2	8" Combo Chain
1TRXD1200HF-E3	10" Combo Chain
1TRXD1200HF-E4	12" Combo Chain
1TRXD1200HF-F1	6" Tungsten Chain
1TRXD1200HF-F2	8" Tungsten Chain
1TRXD1200HF-F3	10" Tungsten Chain
1TRXD1200HF-F4	12" Tungsten Chain

Model #	Description
1TRXD1500HF-E1	6" Combo Chain
1TRXD1500HF-E2	8" Combo Chain
1TRXD1500HF-E3	10" Combo Chain
1TRXD1500HF-E4	12" Combo Chain
1TRXD1500HF-F1	6" Tungsten Chain
1TRXD1500HF-F2	8" Tungsten Chain
1TRXD1500HF-F3	10" Tungsten Chain
1TRXD1500HF-F4	12" Tungsten Chain

COMBINATION

Combination of earth & tungsten teeth



TUNGSTEN

Full tungsten teeth on every station





Distributor of agricultural, construction and landscape equipment

Skid Steer Trencher – High Flow

5 Ft depth, 2” pitch chain,
recommended flow 28-45 GPM



Model #	Description
1TRXD1200HF-G1	6" Combo Chain
1TRXD1200HF-G2	8" Combo Chain
1TRXD1200HF-G3	10" Combo Chain
1TRXD1200HF-G4	12" Combo Chain
1TRXD1200HF-H1	6" Tungsten Chain
1TRXD1200HF-H2	8" Tungsten Chain
1TRXD1200HF-H3	10" Tungsten Chain
1TRXD1200HF-H4	12" Tungsten Chain

Model #	Description
1TRXD1500HF-G1	6" Combo Chain
1TRXD1500HF-G2	8" Combo Chain
1TRXD1500HF-G3	10" Combo Chain
1TRXD1500HF-G4	12" Combo Chain
1TRXD1500HF-H1	6" Tungsten Chain
1TRXD1500HF-H2	8" Tungsten Chain
1TRXD1500HF-H3	10" Tungsten Chain
1TRXD1500HF-H4	12" Tungsten Chain

COMBINATION

Combination of earth & tungsten teeth



TUNGSTEN

Full tungsten teeth on every station





UTILITOUGH

Excavator Bucket & Attachments Section



POWER. PRODUCTIVITY. PROVEN PERFORMANCE.



Distributor of agricultural, construction and landscape equipment

Excavator Buckets and Couplers

- Buckets are the most common attachment: digging, cleaning or sifting dirt
- Couplers allow operators to change attachments quickly making switching between buckets, breakers, or other attachments easy and fast



Kubota style quick couplers

Kubota style buckets;
quick attach and pin on



Various sizes and configurations to cater to different applications



Distributor of agricultural, construction and landscape equipment

Excavator Buckets

- Buckets are the most common attachment: digging, cleaning or sifting dirt



Wain Roy style buckets

Bobcat style buckets



John Deere wedge lock style buckets



Various sizes and configurations to cater to different applications



Distributor of agricultural, construction and landscape equipment

Specialty Excavator Buckets & Attachments

- Frost rippers are sharp tools that tear into hard ground or frozen soil
- Skeleton buckets sift out stones, brush and debris while the backfill is left behind
- Tilt grading buckets are the solution for grading on an angle making shaping complex areas faster and easier



Frost Ripper



Skeleton Bucket



Tilt Bucket

Various sizes and configurations to cater to different applications



Distributor of agricultural, construction and landscape equipment

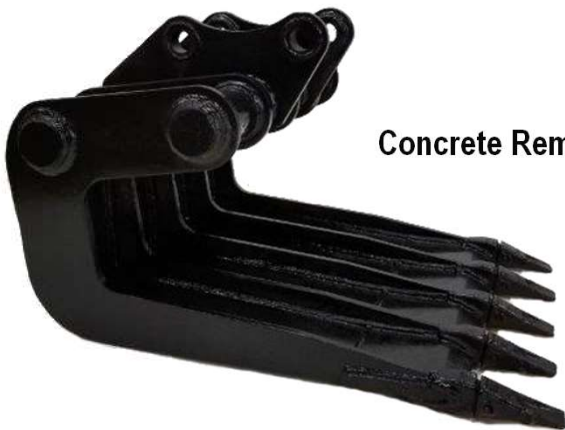
Specialty Excavator Buckets & Attachments

- Tree Stumper and add on rake is a must have for any land clearing project (excavator thumb required)
- Concrete removal bucket is designed to remove concrete slabs without damaging the sub-base

**Tree Stumper with Rake
Shown with Pin-On Mount**



**Tree Stumper with Rake
Shown with Quick Attach Mount**



Concrete Removal Bucket

Various sizes and configurations to cater to different applications



Distributor of agricultural, construction and landscape equipment

Excavator Rake

- Ideal for sifting and sorting soil, rock, and removing unwanted debris and overgrowth
- Rake in forward and reverse
- 5/8" thick tines
- Available for 6,000 – 20,000 lb. excavators



Model #	Sizes Available	Description	Overall Height	Overall Depth	Tine Spacing	Est. Weight
1EXRK47	47"	Extreme Excavator Root Rake	28"	15"	4"	427

Rotating Excavator Grapple

- Mounts onto 3-6 ton excavators
- Comes fully assembled and ready to go to work
- The grapple head is made of Hardox steel, increasing its maximum tensile strength and durability
- Check valve is standard



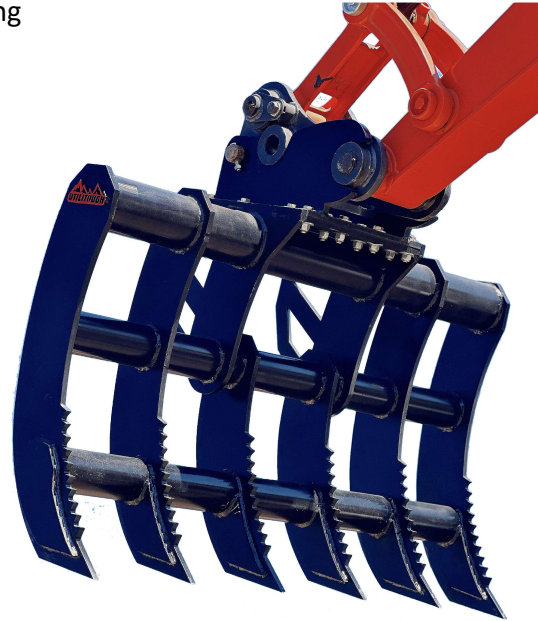
Model #	Description	Wrapping Opening	Wrapping Diameter	Rotation	Lift Capacity	Recommended PSI	Weight
1EXRLG01	Rotating Excavator Log Grapple	53"	40"	Powered	4000	3000	600



Distributor of agricultural, construction and landscape equipment

Premium Excavator Root Rake

- Ideal for sifting and sorting soil, rock, and removing unwanted debris and overgrowth
- Elevated contour for easy hookup
- 1-1/2" thick digging tines
- Interchangeable mounting system
- Available for excavators up to 20,000 lbs.



Model #	Sizes Available	Description	# of Tines	Est. Weight
1ERR36	36"	Premium Excavator Root Rake	5	281
1ERR48	48"	Premium Excavator Root Rake	6	313
1ERR60	60"	Premium Excavator Root Rake	7	363



Distributor of agricultural, construction and landscape equipment

Premium Excavator Ripper 270

- Serrated edge for ripping action
- Heavy-duty size, this ripper is made for compact excavators
- Replaceable tooth
- 1-1/2" thick tine, 3/4" gussets
- Interchangeable mounting system
- 36" long (base to tip)
- Available for excavators up to 20,000 lbs.



Model #	Description	Tine Thickness	Est. Weight
1ERP270	Premium Excavator Ripper	1-1/2"	273

Premium Excavator Ripper 300

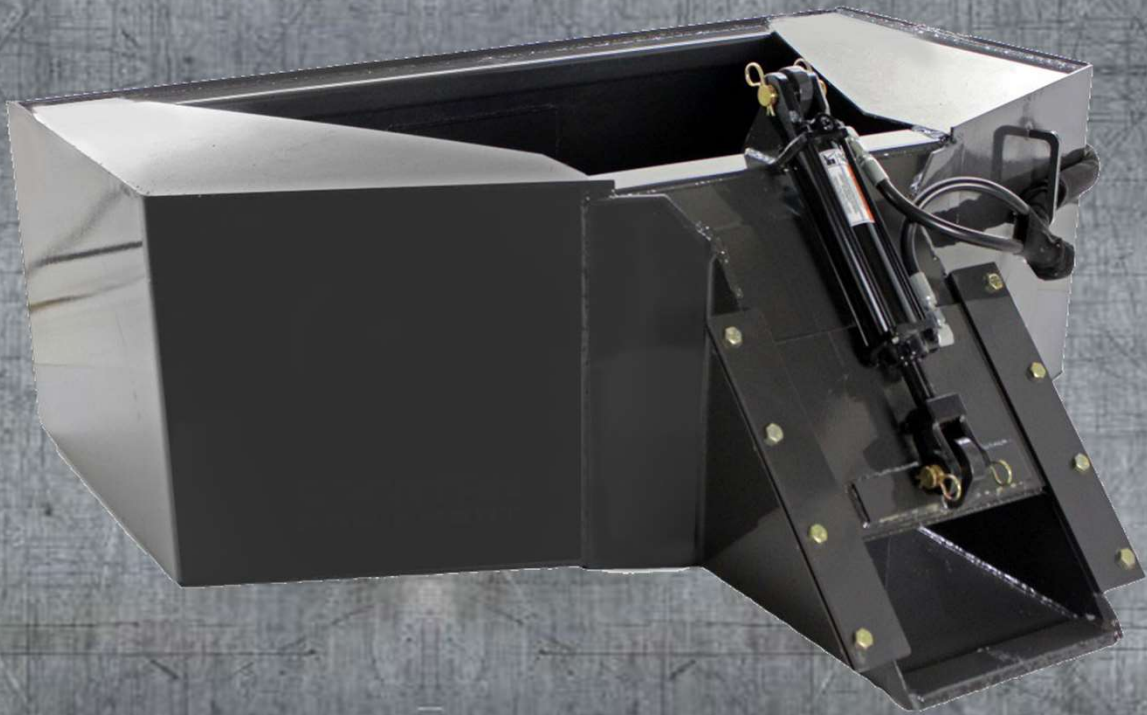
- Serrated edge for ripping action
- Designed for medium-sized excavators, this attachment offers efficiency, durability, and precision
- Replaceable tooth
- 1-1/2" thick tine, 3/4" gussets
- Interchangeable mounting system
- 46" long (base to tip)
- Available for excavators up to 20,000 lbs.

Model #	Description	Tine Thickness	Est. Weight
1ERP300	Premium Excavator Ripper	1-1/2"	313



UTILITOUGH

Concrete Mixer & Bucket Section



POWER. PRODUCTIVITY. PROVEN PERFORMANCE.



Distributor of agricultural, construction and landscape equipment

Xtreme Series Concrete Mixer

- All models can handle aggregates up to 1.25" in diameter
- Seamlessly scoop, mix, and dispense various cementitious materials



Model #	1CMX100	1CMX250	1CMX450	1CMX600
Capacity	3.53 CF / 26.4 Gallons	8.82 CF / 66 Gallons	15.89 CF / 118.9 Gallons	21.18 CF / 158.5 Gallons
Center Discharge Chute	N/A	8" Dia. Hydraulic Control	8" Dia. Hydraulic Control	8" Dia. Hydraulic Control
Drive System	Gear Driven	Chain Driven	Chain Driven	Chain Driven
Electrical	N/A	12V Switched Solenoid	12V Switched Solenoid	12V Switched Solenoid
Flow Range	11-16 GPM	11-22 GPM	11-22 GPM	11-22 GPM
Max Pressure	N/A	3500 PSI	3500 PSI	3500 PSI
Paddle Material	Hardox 400	Hardox 400	Hardox 400	Hardox 400
Side Discharge Chute	Manual Lever	Manual Lever	Manual Lever	Manual Lever
Weight-Empty	419	838	1009	1389
Weight-Full Load	816	2161	3362	4564
Width	41"	58"	64"	81"
Hookup	Mini Skid Steer	Skid Steer	Skid Steer	Skid Steer



Distributor of agricultural, construction and landscape equipment

Xtreme Series Concrete Bucket

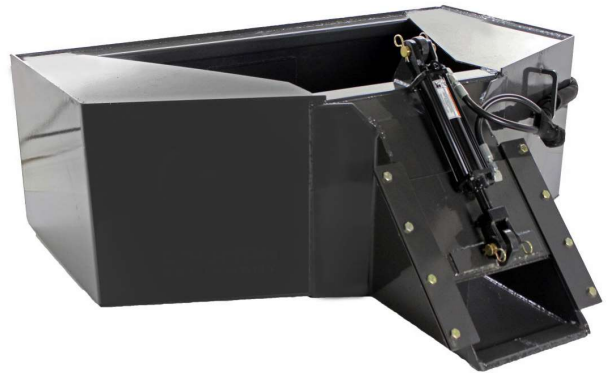
- Designed to accurately place concrete in areas inaccessible to trucks without any waste
- Ideal for pouring side walks, driveways, and setting fence post
- 3/16" material
- Built in splash guard
- Manual open front pouring spout



Model #	Sizes		Description	Est. Weight
	Available			
1CB1/2YD	1/2 yard		Xtreme Concrete Bucket	396
1CB3/4YD	3/4 yard		Xtreme Concrete Bucket	425
1CB1YD	1 yard		Xtreme Concrete Bucket	460

Xtreme Series Concrete Bucket w/ Hydraulic Chute

- Designed to accurately place concrete in areas inaccessible to trucks without any waste
- 3/16" material
- Built in splash guard
- The hydraulic end gate eliminates the need to get out of the skid steer to open the chute gate

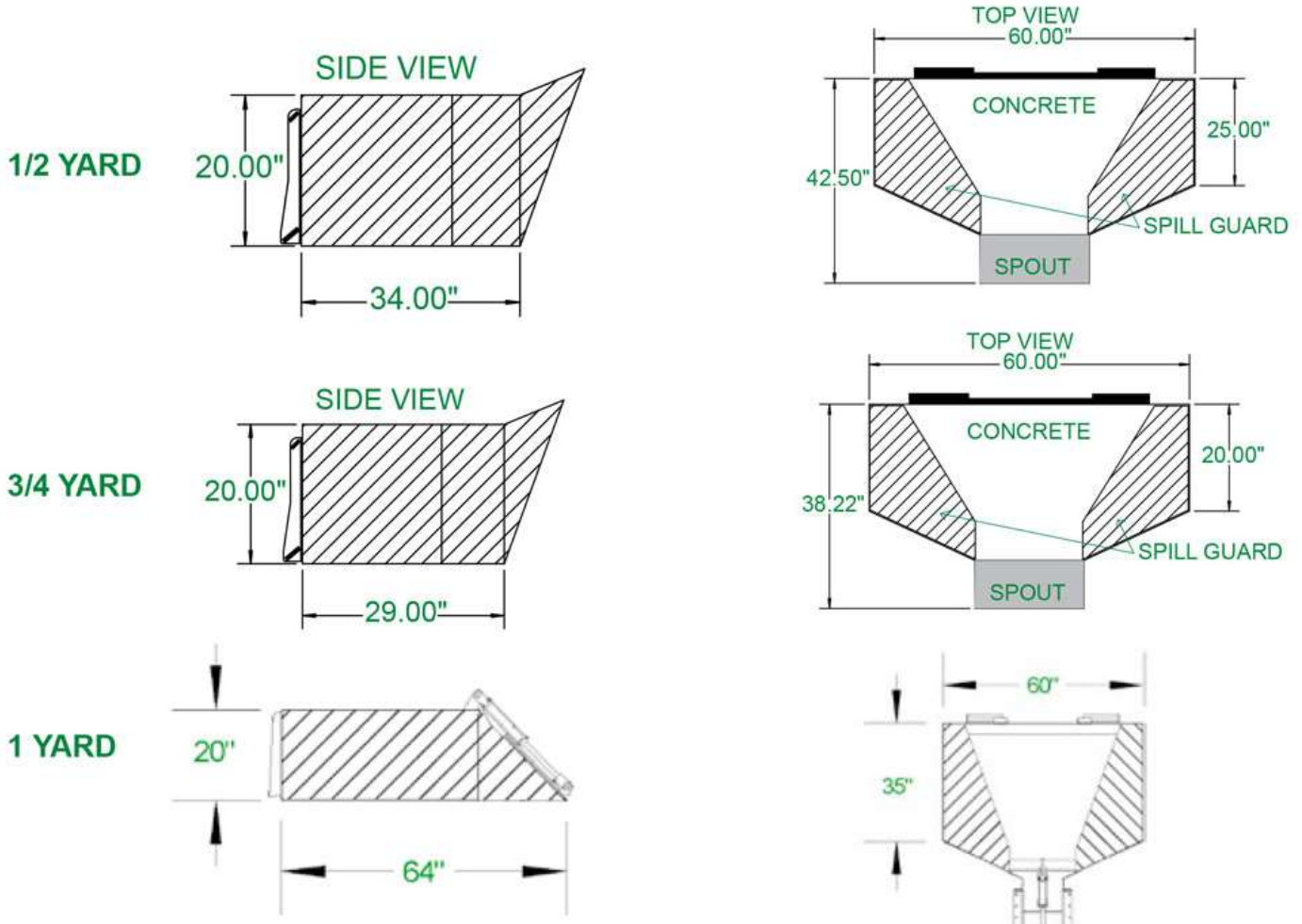


Model #	Sizes		Description	Est. Weight
	Available			
1CBHC1/2YD	1/2 yard		Xtreme Concrete Bucket w/ Hydraulic Chute	475
1CBHC3/4YD	3/4 yard		Xtreme Concrete Bucket w/ Hydraulic Chute	504
1CBHC1YD	1 yard		Xtreme Concrete Bucket w/ Hydraulic Chute	540



Distributor of agricultural, construction and landscape equipment

Xtreme Series Concrete Bucket Specs

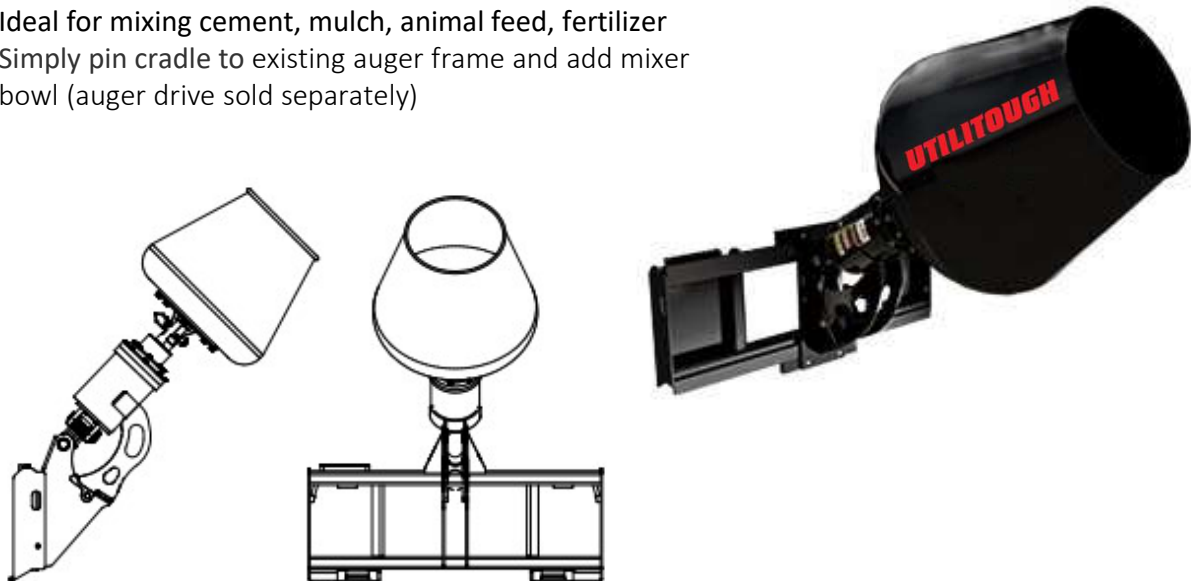




Distributor of agricultural, construction and landscape equipment

Concrete Mixer

- Ideal for mixing cement, mulch, animal feed, fertilizer
- Simply pin cradle to existing auger frame and add mixer bowl (auger drive sold separately)



Model #	Description	Total Capacity	Operating Capacity at 45°	Hub Size	Length	Width	Height	Width (Bowl Only)	Weight (Bowl & Cradle Only)
1CMC01	Concrete Mixer & Cradle	3.9 cu ft / 29 gal	2.5 cu ft / 18.5 gal	2" Hex	51"	48"	58"	23"	84
1CMC02	Concrete Mixer & Cradle	3.9 cu ft / 29 gal	2.5 cu ft / 18.5 gal	2-9/16" Round					
1CMC03	Concrete Mixer & Cradle	5.7 cu ft / 42 gal	4 cu ft / 30 gal	2" Hex	58"	48"	62"	29"	117
1CMC04	Concrete Mixer & Cradle	5.7 cu ft / 42 gal	4 cu ft / 30 gal	2-9/16" Round					



UTILITOUGH

Bucket Section



POWER. PRODUCTIVITY. PROVEN PERFORMANCE.



Distributor of agricultural, construction and landscape equipment

Compact Tractor Bucket

- Rated for 45HP machines and below
- Higher back to prevent spillage
- 1/2" x 4" cutting edge material
- 3/16" side plates



Part #	Sizes Available	Description	Struck Capacity	Height	Depth	Est. Weight
1GPCMP48	48"	Compact Tractor Bucket	12.0 cu ft	25"	28"	361
1GPCMP54	54"	Compact Tractor Bucket	13.5 cu ft			378
1GPCMP60	60"	Compact Tractor Bucket	15.0 cu ft			381
1GPCMP63	63"	Compact Tractor Bucket	15.9 cu ft			401
1GPCMP66	66"	Compact Tractor Bucket	16.6 cu ft			419
1GPCMP72	72"	Compact Tractor Bucket	18.2 cu ft			458



Distributor of agricultural, construction and landscape equipment

Xtreme Series Tractor Bucket

- Rated for 65HP machines and above
- Higher back to prevent spillage
- 3/4" x 6" cutting edge material
- 3/16" side plates
- 1/4" heel plate
- Optional bolt-on edge available



Part #	Sizes Available	Description	Struck Capacity	Height	Depth	Est. Weight
1GPXDTB72	72"	Xtreme Tractor Bucket	21.65 cu ft	29"	34"	653
1GPXDTB72E		XD Tractor Bucket w/ Bolt-on Edge				
1GPXDTB78	78"	Xtreme Tractor Bucket	23.40 cu ft			702
1GPXDTB78E		XD Tractor Bucket w/ Bolt-on Edge				
1GPXDTB84	84"	Xtreme Tractor Bucket	25.26 cu ft			747
1GPXDTB84E		XD Tractor Bucket w/ Bolt-on Edge				
1GPXDTB90	90"	Xtreme Tractor Bucket	26.81 cu ft			830
1GPXDTB90E		XD Tractor Bucket w/ Bolt-on Edge				
1GPXDTB96	96"	Xtreme Tractor Bucket	28.17 cu ft			975
1GPXDTB96E		XD Tractor Bucket w/ Bolt-on Edge				



Distributor of agricultural, construction and landscape equipment

Mulch Bucket

- Designed for low density materials
- 3/4" x 6" cutting edge material
- 1/2" x 3" wear bars
- 3/16" bucket wrap
- Optional bolt-on edge available



Part #	Sizes Available	Description	Struck Capacity	Height	Depth	Est. Weight
1GPMLB72	72	Mulch Bucket	22.03 cu ft	34"	41.5"	695
1GPMLB72E		Mulch Bucket w/ Bolt-on Edge				
1GPMLB74	74	Mulch Bucket	22.63 cu ft			729
1GPMLB74E		Mulch Bucket w/ Bolt-on Edge				
1GPMLB78	78	Mulch Bucket	23.87 cu ft			776
1GPMLB78E		Mulch Bucket w/ Bolt-on Edge				
1GPMLB80	80	Mulch Bucket	24.46 cu ft			825
1GPMLB80E		Mulch Bucket w/ Bolt-on Edge				
1GPMLB84	84	Mulch Bucket	25.70 cu ft			870
1GPMLB84E		Mulch Bucket w/ Bolt-on Edge				
1GPMLB90	90	Mulch Bucket	27.51 cu ft			900
1GPMLB90E		Mulch Bucket w/ Bolt-on Edge				
1GPMLB96E	96	Mulch Bucket	29.38 cu ft			920
1GPMLB96E		Mulch Bucket w/ Bolt-on Edge				



Distributor of agricultural, construction and landscape equipment

Snow and Litter Bucket

- Designed for large volume and light weight material
- 3/4" x 6" cutting edge material
- 3/8" wear bars
- 3/16" bucket wrap
- Optional bolt-on edge available



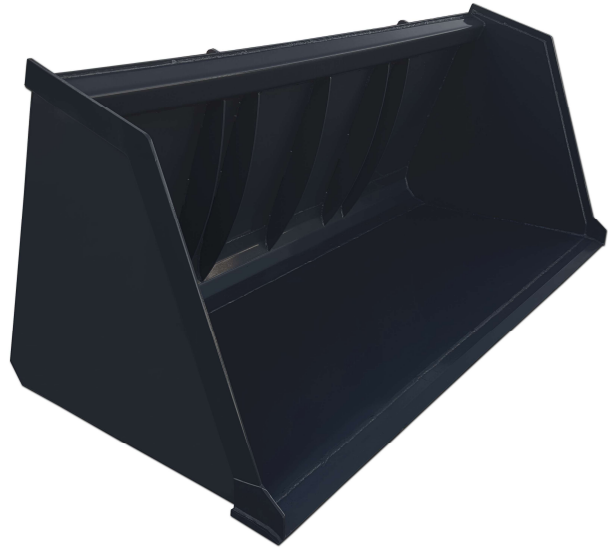
Part #	Sizes Available	Description	Struck Capacity	Height	Depth	Est. Weight	
1GPSNLB60	60	Snow & Litter Bucket	19.68 cu ft	27"	35"	329	
1GPSNLB60E		Snow & Litter Bucket w/ Bolt-on Edge					
1GPSNLB63	63	Snow & Litter Bucket	20.66 cu ft				457
1GPSNLB63E		Snow & Litter Bucket w/ Bolt-on Edge					
1GPSNLB66	66	Snow & Litter Bucket	21.64 cu ft				478
1GPSNLB66E		Snow & Litter Bucket w/ Bolt-on Edge					
1GPSNLB72	72	Snow & Litter Bucket	23.61 cu ft				497
1GPSNLB72E		Snow & Litter Bucket w/ Bolt-on Edge					
1GPSNLB78	78	Snow & Litter Bucket	25.59 cu ft				539
1GPSNLB78E		Snow & Litter Bucket w/ Bolt-on Edge					
1GPSNLB81	81	Snow & Litter Bucket	26.57 cu ft				545
1GPSNLB81E		Snow & Litter Bucket w/ Bolt-on Edge					
1GPSNLB84	84	Snow & Litter Bucket	27.56 cu ft				565
1GPSNLB84E		Snow & Litter Bucket w/ Bolt-on Edge					
1GPSNLB90	90	Snow & Litter Bucket	29.53 cu ft				607
1GPSNLB90E		Snow & Litter Bucket w/ Bolt-on Edge					
1GPSNLB96	96	Snow & Litter Bucket	29.53 cu ft		615		
1GPSNLB96E		Snow & Litter Bucket w/ Bolt-on Edge					



Distributor of agricultural, construction and landscape equipment

Turkey Litter Bucket

- Designed for large volume and light weight material
- 3/4" x 6" cutting edge material
- 3/8" wear bars & side edges
- 3/16" bucket wrap
- Optional bolt-on edge available



Part #	Sizes Available	Description	Struck Capacity	Height	Depth	Est. Weight
1GPTLB78	78	Turkey Litter Bucket	48.30 cu ft	40"	43"	646
1GPTLB78E		Turkey Litter Bucket w/ Bolt-on Edge				684
1GPTLB84	84	Turkey Litter Bucket	52.02 cu ft			745
1GPTLB84E		Turkey Litter Bucket w/ Bolt-on Edge				810
1GPTLB96	96	Turkey Litter Bucket	59.47 cu ft			810
1GPTLB96E		Turkey Litter Bucket w/ Bolt-on Edge				
1GPTLB108	108	Turkey Litter Bucket	66.91 cu ft			
1GPTLB108E		Turkey Litter Bucket w/ Bolt-on Edge				



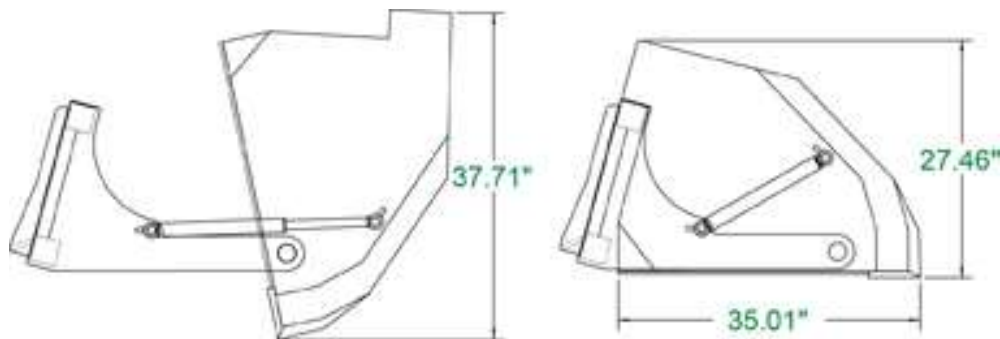
Distributor of agricultural, construction and landscape equipment

High Dump Bucket

- 3 extra feet of dumping height
- 3/4" x 6" cutting edge material
- 3/16" bucket wrap
- 2" x 10" cylinders



Part #	Sizes		Description	Struck Capacity	Height	Depth	Est. Weight
	Available						
1HDB60	60"		High Dump Bucket	21.55 cu ft	33"	36"	971
1HDB72	72"		High Dump Bucket	25.86 cu ft			1057
1HDB78	78"		High Dump Bucket	28.08 cu ft			1094
1HDB84	84"		High Dump Bucket	30.96 cu ft			1151
1HDB96	96"		High Dump Bucket	36.07 cu ft			1243



Utilitough.com

1425 Wilson Road Newberry, SC 29108

803.597.6890

carmen@utilitough.com, shannon@utilitough.com, frontdesk@utilitough.com



Distributor of agricultural, construction and landscape equipment

Low Profile Bucket

- Rated for 65HP machines and below
- 3/4" x 6" cutting edge material
- 3/8" wear bars
- 3/16" bucket wrap
- Available with bolt-on edge or welded teeth



Part #	Sizes Available	Description	Struck Capacity	Height	Depth	Est. Weight	
1GPLP63	63"	Low Profile GP Bucket	11.98 cu ft	21"	29"	353	
1GPLP63E		Low Profile GP Bucket w/ Bolt-on Edge					
1GPLP63WT		Low Profile GP Bucket w/ Welded Teeth					
1GPLP66	66"	Low Profile GP Bucket	12.55 cu ft				373
1GPLP66E		Low Profile GP Bucket w/ Bolt-on Edge					
1GPLP66WT		Low Profile GP Bucket w/ Welded Teeth					
1GPLP72	72"	Low Profile GP Bucket	13.07 cu ft				393
1GPLP72E		Low Profile GP Bucket w/ Bolt-on Edge					
1GPLP72WT		Low Profile GP Bucket w/ Welded Teeth					
1GPLP74	74"	Low Profile GP Bucket	14.08 cu ft				401
1GPLP74E		Low Profile GP Bucket w/ Bolt-on Edge					
1GPLP74WT		Low Profile GP Bucket w/ Welded Teeth					
1GPLP78	78"	Low Profile GP Bucket	14.84 cu ft		421		
1GPLP78E		Low Profile GP Bucket w/ Bolt-on Edge					
1GPLP78WT		Low Profile GP Bucket w/ Welded Teeth					
1GPLP81	81"	Low Profile GP Bucket	15.41 cu ft		438		
1GPLP81E		Low Profile GP Bucket w/ Bolt-on Edge					
1GPLP81WT		Low Profile GP Bucket w/ Welded Teeth					
1GPLP84	84"	Low Profile GP Bucket	15.98 cu ft		448		
1GPLP84E		Low Profile GP Bucket w/ Bolt-on Edge					
1GPLP84WT		Low Profile GP Bucket w/ Welded Teeth					



Distributor of agricultural, construction and landscape equipment

Long Bottom Bucket

- Rated for 65HP machines and below
- 3/4" x 6" cutting edge material
- 3/8" wear bars
- 3/16" bucket wrap
- Available with bolt-on edge or welded teeth



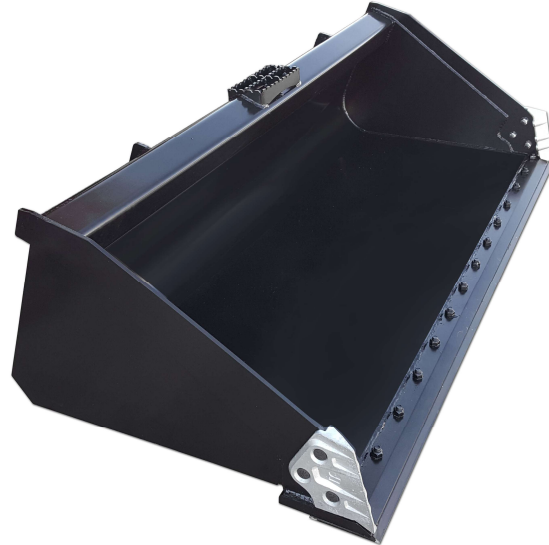
Part #	Sizes Available	Description	Struck Capacity	Height	Depth	Est. Weight	
1GPLB63	63"	Long Bottom GP Bucket	14.42 cu ft	21"	35"	414	
1GPLB63E		Long Bottom GP Bucket w/ Bolt-on Edge					
1GPLB63WT		Long Bottom GP Bucket w/ Welded Teeth					
1GPLB66	66"	Long Bottom GP Bucket	15.11 cu ft				423
1GPLB66E		Long Bottom GP Bucket w/ Bolt-on Edge					
1GPLB66WT		Long Bottom GP Bucket w/ Welded Teeth					
1GPLB72	72"	Long Bottom GP Bucket	16.48 cu ft				455
1GPLB72E		Long Bottom GP Bucket w/ Bolt-on Edge					
1GPLB72WT		Long Bottom GP Bucket w/ Welded Teeth					
1GPLB74	74"	Long Bottom GP Bucket	16.95 cu ft				468
1GPLB74E		Long Bottom GP Bucket w/ Bolt-on Edge					
1GPLB74WT		Long Bottom GP Bucket w/ Welded Teeth					
1GPLB78	78"	Long Bottom GP Bucket	17.86 cu ft		488		
1GPLB78E		Long Bottom GP Bucket w/ Bolt-on Edge					
1GPLB78WT		Long Bottom GP Bucket w/ Welded Teeth					
1GPLB81	81"	Long Bottom GP Bucket	18.54 cu ft		491		
1GPLB81E		Long Bottom GP Bucket w/ Bolt-on Edge					
1GPLB81WT		Long Bottom GP Bucket w/ Welded Teeth					
1GPLB84	84"	Long Bottom GP Bucket	19.23 cu ft		507		
1GPLB84E		Long Bottom GP Bucket w/ Bolt-on Edge					
1GPLB84WT		Long Bottom GP Bucket w/ Welded Teeth					



Distributor of agricultural, construction and landscape equipment

Xtreme Series Track Loader Bucket

- Rated for 65HP machines and above
- 1" x 8" cutting edge material
- 1/2" wear bars
- 3/16" bucket wrap
- Available with bolt-on edge or welded teeth
- Rolled back allows for exceptional cleanout



**Shown with optional bolt-on edge*

Part #	Sizes Available	Description	Struck Capacity	Height	Depth	Est. Weight
1GPXDTR72	72"	Xtreme Track Loader Bucket	16.54 cu ft	21"	35"	689
1GPXDTR72E		XD Track Loader Bucket w/ Bolt-on Edge				
1GPXDTR72WT		XD Track Loader Bucket w/ Welded Teeth				730
1GPXDTR78	78"	Xtreme Track Loader Bucket	17.92 cu ft			729
1GPXDTR78E		XD Track Loader Bucket w/ Bolt-on Edge				
1GPXDTR78WT		XD Track Loader Bucket w/ Welded Teeth				791
1GPXDTR80	80"	Xtreme Track Loader Bucket	18.61 cu ft			739
1GPXDTR80E		XD Track Loader Bucket w/ Bolt-on Edge				
1GPXDTR80WT		XD Track Loader Bucket w/ Welded Teeth				809
1GPXDTR84	84"	Xtreme Track Loader Bucket	19.3 cu ft	750		
1GPXDTR84E		XD Track Loader Bucket w/ Bolt-on Edge				
1GPXDTR84WT		XD Track Loader Bucket w/ Welded Teeth		813		



Distributor of agricultural, construction and landscape equipment

Severe Series Track Loader Bucket

- Rated for 65HP machines and above
- 1" x 8" cutting edge material
- 1/2" wear bars
- 1/4" AR400 heel plate
- 1/4" bucket wrap
- Available with bolt-on edge or welded teeth
- Rolled back allows for exceptional cleanout



**Shown with optional welded teeth*

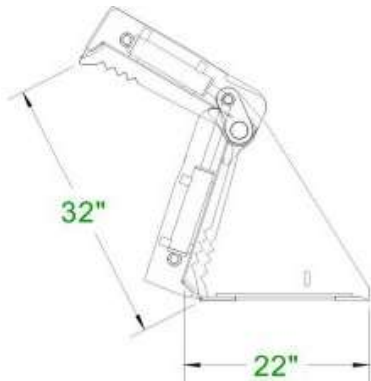
Part #	Sizes Available	Description	Struck Capacity	Height	Depth	Est. Weight	
1GPSVTR72	72"	Severe Track Loader Bucket	18.16 cu ft	24"	34"	703	
1GPSVTR72E		SV Track Loader Bucket w/ Bolt-on Edge					
1GPSVTR72WT		SV Track Loader Bucket w/ Welded Teeth				760	
1GPSVTR78	78"	Severe Track Loader Bucket	19.67 cu ft				745
1GPSVTR78E		SV Track Loader Bucket w/ Bolt-on Edge					
1GPSVTR78WT		SV Track Loader Bucket w/ Welded Teeth				816	
1GPSVTR81	81"	Severe Track Loader Bucket	20.43 cu ft				787
1GPSVTR81E		SV Track Loader Bucket w/ Bolt-on Edge					
1GPSVTR81WT		SV Track Loader Bucket w/ Welded Teeth				834	
1GPSVTR84	84"	Severe Track Loader Bucket	21.19 cu ft		811		
1GPSVTR84E		SV Track Loader Bucket w/ Bolt-on Edge					
1GPSVTR84WT		SV Track Loader Bucket w/ Welded Teeth		855			



Distributor of agricultural, construction and landscape equipment

Compact 4in1 Bucket

- Rated for 40HP machines and below
- 1/2" x 6" leading cutting edge
- 1/2" x 4" cutting edge at all other engaging points
- Available with welded teeth
- Grease fittings at every pivot point



Part #	Sizes Available	Description	Struck Capacity	Est. Weight
1MPCMP48	48"	Compact 4in1 Bucket	6.74 cu ft	426
1MPCMP48WT		CMP 4in1 w/ Welded Teeth		
1MPCMP54	54"	Compact 4in1 Bucket	7.59 cu ft	452
1MPCMP54WT		CMP 4in1 w/ Welded Teeth		
1MPCMP60	60"	Compact 4in1 Bucket	8.43 cu ft	477
1MPCMP60WT		CMP 4in1 w/ Welded Teeth		
1MPCMP66	66"	Compact 4in1 Bucket	11.84 cu ft	550
1MPCMP66WT		CMP 4in1 w/ Welded Teeth		
1MPCMP72	72"	Compact 4in1 Bucket	12.92 cu ft	575
1MPCMP72WT		CMP 4in1 w/ Welded Teeth		



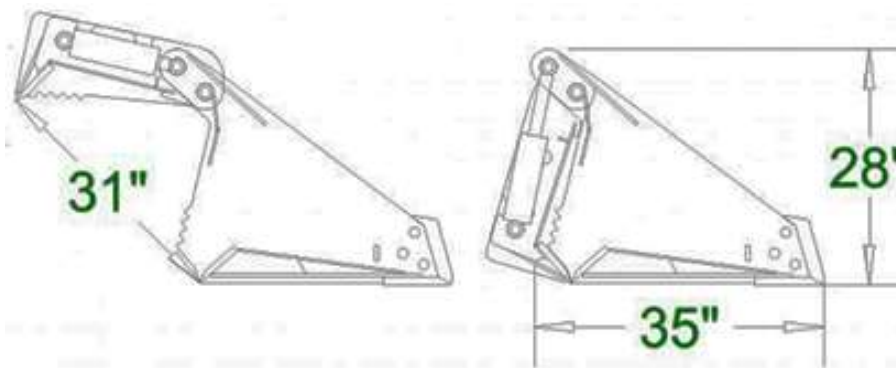
Distributor of agricultural, construction and landscape equipment

Xtreme Series 4in1 Bucket

- Rated for 65HP machines and above
- Bolt-on side cutters are standard
- 1" x 8" leading cutting edge
- 1/2" x 4" cutting edge at all other engaging points
- Available with bolt-on edge or welded teeth
- Grease fittings at every pivot point



Part #	Sizes Available	Description	Struck Capacity	Est. Weight
1MPXD72	72"	Xtreme 4in1 Bucket	16.98 cu ft	1253
1MPXD72E		XD 4in1 w/ Bolt-on Edge		
1MPXD72WT		XD 4in1 w/ Welded Teeth		1312
1MPXD78	78"	Xtreme 4in1 Bucket	18.39 cu ft	1321
1MPXD78E		XD 4in1 w/ Bolt-on Edge		
1MPXD78WT		XD 4in1 w/ Welded Teeth		1391
1MPXD81	81"	Xtreme 4in1 Bucket	19.10 cu ft	1378
1MPXD81E		XD 4in1 w/ Bolt-on Edge		
1MPXD81WT		XD 4in1 w/ Welded Teeth		1436
1MPXD84	84"	Xtreme 4in1 Bucket	19.81 cu ft	1409
1MPXD84E		XD 4in1 w/ Bolt-on Edge		
1MPXD84WT		XD 4in1 w/ Welded Teeth		1448



Utilitough.com

1425 Wilson Road Newberry, SC 29108

803.597.6890

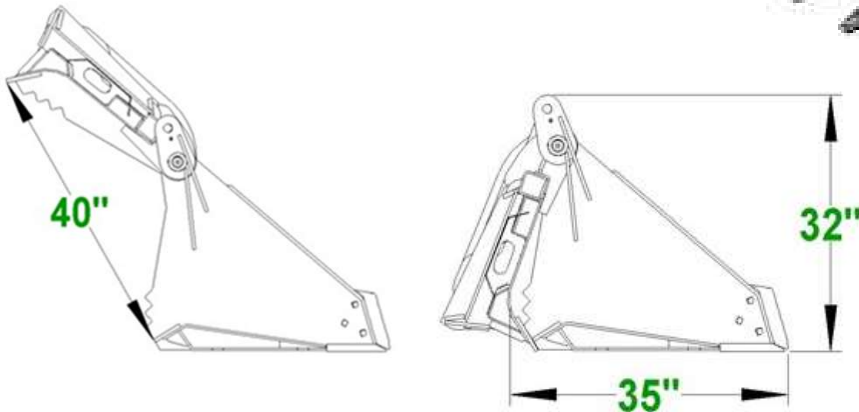
carmen@utilitough.com, shannon@utilitough.com, frontdesk@utilitough.com



Distributor of agricultural, construction and landscape equipment

Severe Series 4in1 Bucket

- Rated for 80HP machines and above
- Bolt-on side cutters are standard
- 1" x 8" leading cutting edge
- 1/2" x 4" cutting edge at all other engaging points
- Available with bolt-on edge or welded teeth
- Grease fittings at every pivot point



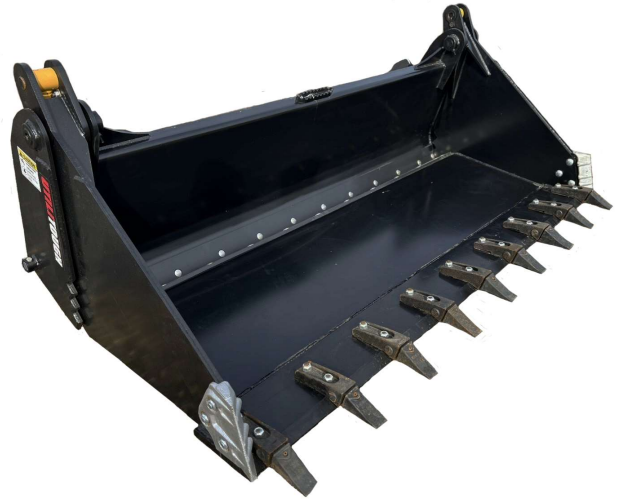
Part #	Sizes Available	Description	Struck Capacity
1MPSV72	72"	Severe 4in1 Bucket	20.52 cu ft
1MPSV72E		SV 4in1 w/ Bolt-on Edge	
1MPSV72WT		SV 4in1 w/ Welded Teeth	
1MPSV78	78"	Severe 4in1 Bucket	21.6 cu ft
1MPSV78E		SV 4in1 w/ Bolt-on Edge	
1MPSV78WT		SV 4in1 w/ Welded Teeth	
1MPSV81	81"	Severe 4in1 Bucket	22.41 cu ft
1MPSV81E		SV 4in1 w/ Bolt-on Edge	
1MPSV81WT		SV 4in1 w/ Welded Teeth	
1MPSV84	84"	Severe 4in1 Bucket	23.49 cu ft
1MPSV84E		SV 4in1 w/ Bolt-on Edge	
1MPSV84WT		SV 4in1 w/ Welded Teeth	



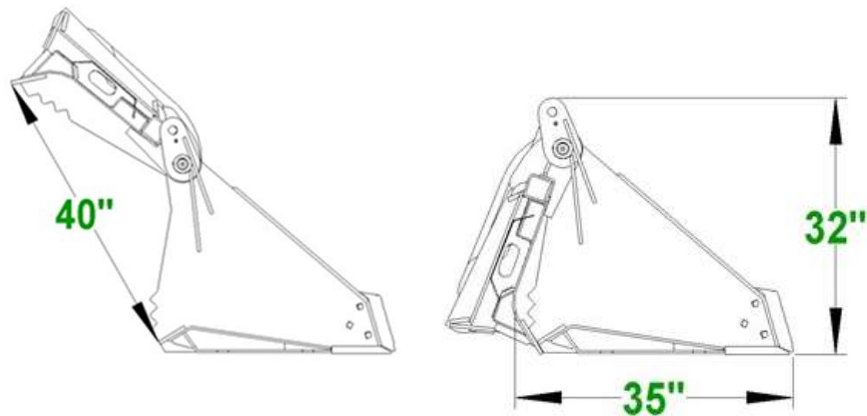
Distributor of agricultural, construction and landscape equipment

Severe Series 4in1 Bucket

- Rated for 80HP machines and above
- Now available with bolt-on replaceable teeth
- Bolt-on side cutters are standard
- 1" x 8" leading cutting edge
- 1/2" x 4" cutting edge at all other engaging points
- Grease fittings at every pivot point



Part #	Sizes Available	Description	Struck Capacity	# of Teeth
1MPSV72LT	72"	Severe Duty 4in1 Bucket w/ Bolt-on Teeth	20.52 cu ft	8
1MPSV84LT	84"	Severe Duty 4in1 Bucket w/ Bolt-on Teeth	23.49 cu ft	9



Utilitough.com

1425 Wilson Road Newberry, SC 29108

803.597.6890

carmen@utilitough.com, shannon@utilitough.com, frontdesk@utilitough.com



UTILITOUGH

Grapple Section



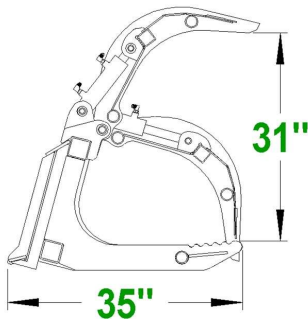
POWER. PRODUCTIVITY. PROVEN PERFORMANCE.



Distributor of agricultural, construction and landscape equipment

Compact Root Grapple

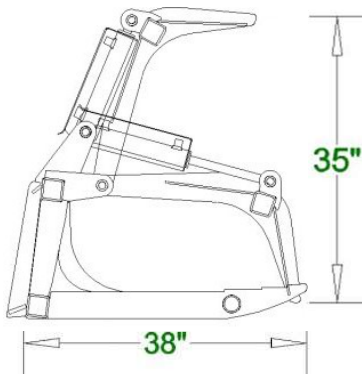
- Designed for compact tractors
- Rated for 35-50HP machines
- Large grapple opening accommodates the most demanding jobs
- Independent dual grapple design



Model #	Sizes Available	Description	# of Tines	Est. Weight
1RGCMP60_UT	60"	Compact Root Grapple	8	537
1RGCMP66_UT	66"	Compact Root Grapple	9	564
1RGCMP72_UT	72"	Compact Root Grapple	9	579

Heavy Duty Root Grapple

- Rated for 45-65HP machines
- Independent dual grapple design
- 1/2" material
- 3" square tubing



Model #	Sizes Available	Description	Est. Weight
1RGHD60	60"	Heavy Duty Root Grapple	620
1RGHD63	63"	Heavy Duty Root Grapple	631
1RGHD66	66"	Heavy Duty Root Grapple	645
1RGHD72	72"	Heavy Duty Root Grapple	668
1RGHD78	78"	Heavy Duty Root Grapple	680
1RGHD81	81"	Heavy Duty Root Grapple	742
1RGHD84	84"	Heavy Duty Root Grapple	804

Utilitough.com

1425 Wilson Road Newberry, SC 29108

803.597.6890

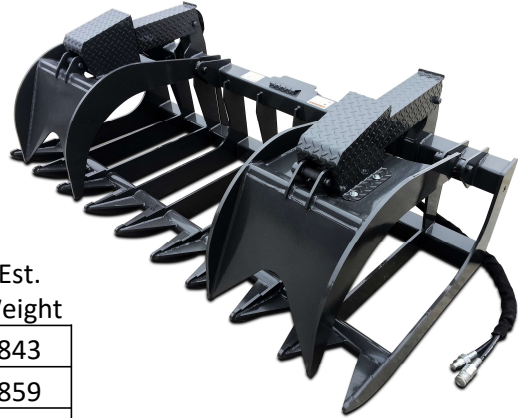
carmen@utilitough.com, shannon@utilitough.com, frontdesk@utilitough.com



Distributor of agricultural, construction and landscape equipment

Xtreme Series Root Grapple

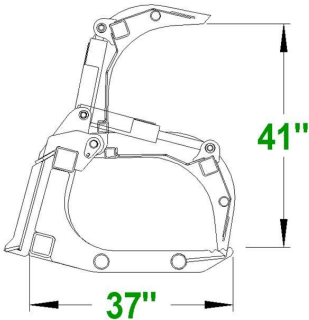
- Rated for 65HP machines and above
- Independent dual grapple design
- 1/2" bottom tines
- 5/8" grapple lid tines
- 4" square tubing



Model #	Sizes Available	Description	Est. Weight
1RGXD63	63"	Xtreme Root Grapple	843
1RGXD66	66"	Xtreme Root Grapple	859
1RGXD72	72"	Xtreme Root Grapple	911
1RGXD78	78"	Xtreme Root Grapple	920
1RGXD81	81"	Xtreme Root Grapple	962
1RGXD84	84"	Xtreme Root Grapple	969

Severe Series Root Grapple

- Rated for 80HP machines and above
- Large grapple opening accommodates the most demanding jobs
- Independent dual grapple design
- 5/8" bottom tines
- 3/4" grapple lid tines



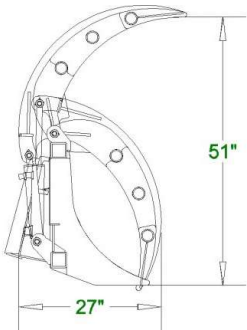
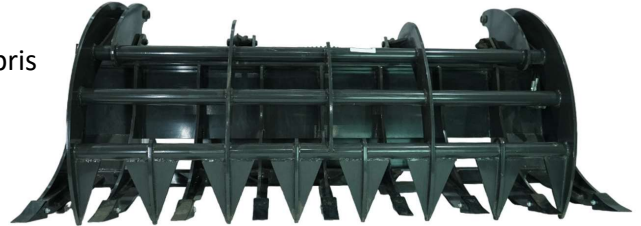
Model #	Sizes Available	Description	# of Tines	Est. Weight
1RGSV72_UT	72"	Severe Root Grapple	8	1074
1RGSV84_UT	84"	Severe Root Grapple	10	1144



Distributor of agricultural, construction and landscape equipment

Xtreme Series Grapple Rake

- Rated for 65HP machines and above
- Ideal for the removal of brush, rocks, and other debris
- 23 series teeth
- 1/2" material

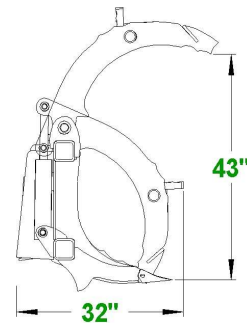
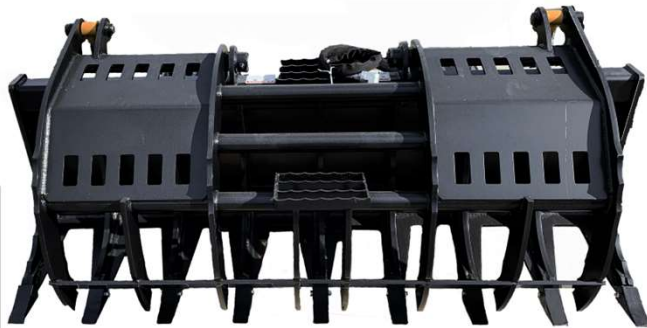


Model #	Sizes Available	Description	Est. Weight
1GRXD63_UT	63"	Xtreme Grapple Rake	850
1GRXD66_UT	66"	Xtreme Grapple Rake	863
1GRXD72_UT	72"	Xtreme Grapple Rake	937
1GRXD78_UT	78"	Xtreme Grapple Rake	954
1GRXD81_UT	81"	Xtreme Grapple Rake	1012
1GRXD84_UT	84"	Xtreme Grapple Rake	1016
1GRXD96_UT	96"	Xtreme Grapple Rake	1099



Severe Series Grapple Rake

- Rated for 80HP machines and above
- Ideal for the removal of brush, rocks, and other debris
- 23 series teeth
- Step allows for easy entry into the machine
- 3/4" material



Model #	Sizes Available	Description	Est. Weight
1GRSV72_UT	72"	Severe Grapple Rake	1392
1GRSV84_UT	84"	Severe Grapple Rake	1481



Distributor of agricultural, construction and landscape equipment

Compact Rock Grapple

- Rated for 35HP machines and below
- Designed to sift through loose soil and remove rocks and debris while leaving the dirt behind
- Rock dam section for prolonged screening without losing material



Model #	Sizes Available	Description	Tine Spacing	Bucket Floor Length	Max Grapple Opening	Est. Weight
1RKGCM48	48"	Compact Rock Grapple	3"	28"	35"	290
1RKGCM54	54"	Compact Rock Grapple				325
1RKGCM60	60"	Compact Rock Grapple				364
1RKGCM66	66"	Compact Rock Grapple				397
1RKGCM72	72"	Compact Rock Grapple				420

Heavy Duty Rock Grapple

- Rated for 65HP machines and above
- 3/4" x 6" cutting edge material
- Bolt-on side included
- Rock dam section for prolonged screening without losing material
- 3/8" material



Model #	Sizes Available	Description	Tine Spacing	Bucket Floor Length	Max Grapple Opening	Est. Weight
1RKGHD63	63"	Heavy Duty Rock Grapple	2.5"	34"	40"	750
1RKGHD66	66"	Heavy Duty Rock Grapple				851
1RKGHD72	72"	Heavy Duty Rock Grapple				900
1RKGHD78	78"	Heavy Duty Rock Grapple				941
1RKGHD81	81"	Heavy Duty Rock Grapple				960
1RKGHD84	84"	Heavy Duty Rock Grapple				1004



Distributor of agricultural, construction and landscape equipment

Xtreme Series Rock Grapple

- Rated for 65HP machines and above
- Reinforced 5" tall rock dam section for prolonged screening without losing material
- 3/8" material



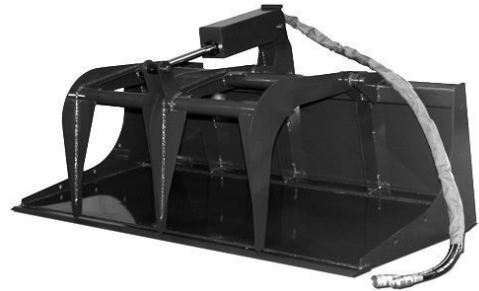
Model #	Sizes Available	Description	Tine Spacing	Bucket Floor Length	Max Grapple Opening	Est. Weight
1RKGXD66	66"	Xtreme Rock Grapple	3"	42"	37"	1018
1RKGXD72	72"	Xtreme Rock Grapple				1064
1RKGXD78	78"	Xtreme Rock Grapple				1110
1RKGXD81	81"	Xtreme Rock Grapple				1082
1RKGXD84	84"	Xtreme Rock Grapple				1160



Distributor of agricultural, construction and landscape equipment

Compact Grapple Bucket

- Rated for 45HP machines and below
- Grease fittings at every pivot point



Model #	Sizes Available	Description	Bucket Floor Length	Max Grapple Opening	Est. Weight
1GBCMP48	48"	Compact Grapple Bucket	30"	32"	369
1GBCMP54	54"	Compact Grapple Bucket			398
1GBCMP60	60"	Compact Grapple Bucket			421
1GBCMP66	66"	Compact Grapple Bucket			445
1GBCMP72	72"	Compact Grapple Bucket			472

Heavy Duty Grapple Bucket

- Rated for 65HP machines and below
- Grease fittings at every pivot point



Model #	Sizes Available	Description	Bucket Floor Length	Max Grapple Opening	Est. Weight
1GBHD63	63"	Heavy Duty Grapple Bucket	34"	40"	744
1GBHD66	66"	Heavy Duty Grapple Bucket			775
1GBHD72	72"	Heavy Duty Grapple Bucket			847
1GBHD78	78"	Heavy Duty Grapple Bucket			850
1GBHD81	81"	Heavy Duty Grapple Bucket			866
1GBHD84	84"	Heavy Duty Grapple Bucket			882



Distributor of agricultural, construction and landscape equipment

Xtreme Series Grapple Bucket

- Rated for 65HP machines and above
- 5/8" grapple lid tines
- 1" x 8" cutting edge material
- Optional bolt-on sides



Model #	Sizes Available	Description	Bucket Floor Length	Max Grapple Opening	Est. Weight
1GBXD66	66"	Xtreme Grapple Bucket	42"	41"	1030
1GBXD72	72"	Xtreme Grapple Bucket			1088
1GBXD78	78"	Xtreme Grapple Bucket			1098
1GBXD81	81"	Xtreme Grapple Bucket			1131
1GBXD84	84"	Xtreme Grapple Bucket			1173

UTILITOUGH

Kanga Mini Skid Steer Loaders & Attachment Section



POWER. PRODUCTIVITY. PROVEN PERFORMANCE.



Distributor of agricultural, construction and landscape equipment

Kanga Mini Skid Steer 2 Series

- Available in a wheeled or tracked configuration
- The smallest mini loader able to fit through narrow passages and most gates and doorways

LOADER MODEL	PT220
ENGINE TYPE	Honda GXV630 (Gas)
TIPPING LOAD	794 lbs
MACHINE WEIGHT	1040 lbs
MAXIMUM OPERATING HEIGHT	59.2"
OVERALL WIDTH	31.1"
GROUND CLEARANCE	6.5"
TRAVEL SPEED	3.4 mph



LOADER MODEL	PW220
ENGINE TYPE	Honda GXV630 (Gas)
TIPPING LOAD	785 lbs
MACHINE WEIGHT	980 lbs
MAXIMUM OPERATING HEIGHT	58.7"
OVERALL WIDTH	29.7"
GROUND CLEARANCE	6.1"
TRAVEL SPEED	3.4 mph



Utilitough.com
 1425 Wilson Road Newberry, SC 29108
 803.597.6890

carmen@utilitough.com, shannon@utilitough.com, frontdesk@utilitough.com



Distributor of agricultural, construction and landscape equipment

Kanga Mini Skid Steer 2 Series Attachments

Standard Bucket

HEAPED VOLUME*	2.72 cu ft
STRUCK VOLUME*	2.08 cu ft
WIDTH	32"
HEIGHT	15.35"
WEIGHT	88bs



4in1 Bucket

HEAPED VOLUME*	2.97 cu ft
STRUCK VOLUME*	2.23 cu ft
WIDTH	32"
HEIGHT	18.9"
WEIGHT	203 lbs



2 Blade Ripper

RIPPER TINES	High Tensile Steel
DIG DEPTH	7"
WIDTH	12"
WEIGHT	29 lbs





Distributor of agricultural, construction and landscape equipment

Kanga Mini Skid Steer 2 Series Attachments

Rubble Bucket

WIDTH	36"
LENGTH	28"
TINE LENGTH	21.4"
TINE SPACING	2.4"
WEIGHT	121 lbs



Grapple Bucket

WIDTH	36"
LENGTH	28"
TINE LENGTH	21.4"
TINE SPACING	2.4"
WEIGHT	216 lbs



Carryall Leveller

WIDTH	35"
DEPTH	23"
HEIGHT	15"
WEIGHT	48 lbs





Distributor of agricultural, construction and landscape equipment

Kanga Mini Skid Steer 2 Series Attachments

Bucket Broom - Open Face

WIDTH	37.5"
SWEEP WIDTH	31"
LENGTH	34"
HEIGHT	18.5"
WEIGHT	211 lbs



Hydraulic Angle Blade

WIDTH	39"
SLEW ANGLE	30°
WEIGHT	114 lbs



Turf Cutter

CUTTING WIDTH	11.8"
WIDTH	16"
LENGTH	26.7"
HEIGHT	20.3"
WEIGHT	165 lbs





Distributor of agricultural, construction and landscape equipment

Kanga Mini Skid Steer 2 Series Attachments

Rotary Tiller

CUTTING WIDTH 30"
CUTTING DEPTH 1.5"
WEIGHT 150 lbs



Lawn Aerator

DIG DEPTH 3"
WIDTH 30.1"
WEIGHT 207 lbs



Mixer Bowl

TOTAL CAPACITY* 3.9 cu ft
OPERATING CAPACITY** 2.5 cu ft
BASE DIAMETER 24"
OPENING DIAMETER 17"
DEPTH 20.8"
WEIGHT 53 lbs





Distributor of agricultural, construction and landscape equipment

Kanga Mini Skid Steer 2 Series Attachments

CUTTING WIDTH 4"
 MAX DEPTH 24"
 WEIGHT 220 lbs



Power Head
 FORWARD/REVERSE Fingertip Controls
 TORQUE 544 ft lbs at 88 rpm
 MAX FLOW 5.8 gpm at 2700 psi
 WEIGHT 86 lbs



Single Cutting Head Augers

DIAMETER	LENGTH	WEIGHT
4"	39"	17 lbs
6"	40"	14 lbs
8"	40"	16 lbs
10"	40"	21 lbs
12"	40"	24 lbs
14"	40"	19.5 lbs

Double Cutting Head Augers

DIAMETER	LENGTH	WEIGHT
9"	40"	23.5 lbs
12"	40"	31.6 lbs
14"	40"	38.8 lbs
18"	40"	50 lbs





Distributor of agricultural, construction and landscape equipment

Kanga Mini Skid Steer 6 Series

- The 6 Series Kanga Wheeled Diesel Compact Loader comes with large 23" tires for better ground clearance, faster ground speed, and high puncture resistance
- Available in gas or diesel



LOADER MODEL	PW628
ENGINE TYPE	Honda GX690 Gas
TIPPING LOAD	955 lbs (no bucket)
MACHINE WEIGHT	1965 lbs (no operator / bucket)
MAXIMUM OPERATING HEIGHT	98.8" (with bucket)
OVERALL WIDTH	40.6"
GROUND CLEARANCE	7.3"
TRAVEL SPEED	4.3 mph

LOADER MODEL	DW625
ENGINE TYPE	Kubota D902 Diesel
TIPPING LOAD	1054 lbs (no bucket)
MACHINE WEIGHT	2130 lbs (no operator / bucket)
MAXIMUM OPERATING HEIGHT	98.8" (with bucket)
OVERALL WIDTH	40.6"
GROUND CLEARANCE	7.3"
TRAVEL SPEED	4.3 mph

UtiliTough.com
 1425 Wilson Road Newberry, SC 29108
 803.597.6890

carmen@utilitough.com, shannon@utilitough.com, frontdesk@utilitough.com



Distributor of agricultural, construction and landscape equipment

Kanga Mini Skid Steer 7 Series

- The 7 Series diesel loader has been designed with features to offer you an edge in power, speed, durability, ease of use, economy, and safety
- The 7 Series mini loaders come standard with tracks, for increased stability on uneven surfaces
- Available in gas or diesel



LOADER MODEL	PT728
ENGINE TYPE	Honda GX690 Gas
TIPPING LOAD	947 lbs (no bucket)
MACHINE WEIGHT	1899 lbs (no operator / bucket)
MAXIMUM OPERATING HEIGHT	98.8" (with bucket)
OVERALL WIDTH	40.9"
GROUND CLEARANCE	7.7"
TRAVEL SPEED	4.3 mph
LOADER MODEL	DT725
ENGINE TYPE	Kubota D902 Diesel
TIPPING LOAD	1018 lbs (no bucket)
MACHINE WEIGHT	2075 lbs (no operator / bucket)
MAXIMUM OPERATING HEIGHT	98.8" (with bucket)
OVERALL WIDTH	40.9"
GROUND CLEARANCE	7.7"
TRAVEL SPEED	4.3 mph



Distributor of agricultural, construction and landscape equipment

Kanga Mini Skid Steer 8 Series

- The 8 Series loaders have been designed to deliver you increased digging force, allowing more extended reach, increased dump height, 2 speed transmission and faster turn-around time
- Available in a wheeled or tracked configuration



LOADER MODEL	DT825
ENGINE TYPE	Kubota D902 Diesel
TIPPING LOAD	1210 lbs (no bucket)
MACHINE WEIGHT	2203 lbs (no operator / bucket)
MAXIMUM OPERATING HEIGHT	101.2" (with bucket)
OVERALL WIDTH	41.1"
GROUND CLEARANCE	7.6"
TRAVEL SPEED	3.4 mph (default) / 5.8 mph (fast mode)



LOADER MODEL	DW825
ENGINE TYPE	Kubota D902 Diesel
TIPPING LOAD	1182 lbs (no bucket)
MACHINE WEIGHT	2089 lbs (no operator / attachment)
MAXIMUM OPERATING HEIGHT	101" (with bucket)
OVERALL WIDTH	40.7"
GROUND CLEARANCE	7.6"
TRAVEL SPEED	4.3 mph

Utilitough.com
 1425 Wilson Road Newberry, SC 29108
 803.597.6890

carmen@utilitough.com, shannon@utilitough.com, frontdesk@utilitough.com



Distributor of agricultural, construction and landscape equipment

Kanga Mini Skid Steer 6, 7 & 8 Series Attachments

Mulch Bucket

HEAPED VOLUME*	4.41 cu ft
STRUCK VOLUME*	3.18 cu ft
WIDTH	41"
LENGTH	29"
HEIGHT	22"
WEIGHT	159 lbs



4in1 Bucket

HEAPED VOLUME*	4.17 cu ft
STRUCK VOLUME*	3.25 cu ft
WIDTH	41"
LENGTH	27"
HEIGHT	22"
WEIGHT	287 lbs



4in1 Bucket - Heavy Duty

HEAPED VOLUME*	4.59 cu ft
STRUCK VOLUME*	3.36 cu ft
WIDTH	43"
LENGTH	33"
HEIGHT	22"
WEIGHT	346 lbs



Utilitough.com

1425 Wilson Road Newberry, SC 29108

803.597.6890

carmen@utilitough.com, shannon@utilitough.com, frontdesk@utilitough.com



Distributor of agricultural, construction and landscape equipment

Kanga Mini Skid Steer 6, 7 & 8 Series Attachments

Rubble Bucket

WIDTH	47"
LENGTH	28"
TINE LENGTH	22"
TINE SPACING	2.4"
WEIGHT	201 lbs



Grapple Bucket

WIDTH	47"
LENGTH	28"
TINE LENGTH	22"
TINE SPACING	2.4"
WEIGHT	260 lbs



Carryall Leveller

WIDTH	49"
DEPTH	28"
HEIGHT	15.6"
WEIGHT	102 lbs



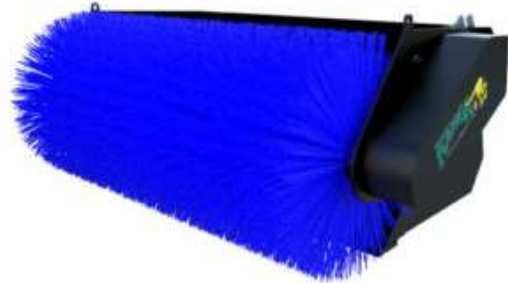


Distributor of agricultural, construction and landscape equipment

Kanga Mini Skid Steer 6, 7 & 8 Series Attachments

Bucket Broom - Open Face

WIDTH	45.4"
SWEEP WIDTH	43.3"
HEIGHT	18.5"
LENGTH	35"
WEIGHT	443 lbs



Bucket Broom

WIDTH	55.5"
SWEEP WIDTH	43.3"
HEIGHT	20.5"
LENGTH	34"
WEIGHT	443 lbs



Mini Hoe

DIG DEPTH	12.8"
BREAKOUT FORCE	1760 lbs
COMPATIBLE BUCKET WIDTH	6", 8", 12"





Distributor of agricultural, construction and landscape equipment

Kanga Mini Skid Steer 6, 7 & 8 Series Attachments

Front Hoe

DIG DEPTH	28"
SLEW WIDTH	25.6"
SLEW ANGLE	50°
COMPATIBLE BUCKET WIDTH	6", 8", 12"



Rotary Tiller

WIDTH	47.6"
LENGTH	27.3"
HEIGHT	19"
WEIGHT	355 lbs
BLADES	16
TILLING WIDTH	40"
TILLING DEPTH	4.3"
CUTTING WIDTH	39.3"
CUTTING DEPTH	6"



Lawn Aerator

DIG DEPTH	3"
WIDTH	45.3"
WEIGHT	203 lbs



Utilitough.com

1425 Wilson Road Newberry, SC 29108

803.597.6890

carmen@utilitough.com, shannon@utilitough.com, frontdesk@utilitough.com



Distributor of agricultural, construction and landscape equipment

Kanga Mini Skid Steer 6, 7 & 8 Series Attachments

Rotating Log Grab

CLAW ROTATION ANGLE 90° Right
WEIGHT 326 lbs



Rock Grab

LIFT CAPACITY 400 lbs
ROCK DIAMETER 6-20"
TINE LENGTH 15.8"
LENGTH 22.6"
WEIGHT 188 lbs



Power Rake

WIDTH 57.8"
LENGTH 64.8"
LENGTH (NO WHEELS) 33.9"
WEIGHT 728 lbs



Utilitough.com

1425 Wilson Road Newberry, SC 29108

803.597.6890

carmen@utilitough.com, shannon@utilitough.com, frontdesk@utilitough.com



Distributor of agricultural, construction and landscape equipment

Kanga Mini Skid Steer 6, 7 & 8 Series Attachments

Kwik Grip Leveller

WIDTH	47"
DEPTH	39"
HEIGHT	6.4"
WEIGHT	159 lbs



Mixer Bowl

TOTAL CAPACITY*	3.9 cu ft
OPERATING CAPACITY**	2.5 cu ft
BASE DIAMETER	24"
OPENING DIAMETER	17"
DEPTH	20.8"
WEIGHT	84 lbs



Debris Puller

WIDTH	31"
LENGTH	67"-117"
HEIGHT	16"
WEIGHT	210 lbs



Utilitough.com

1425 Wilson Road Newberry, SC 29108

803.597.6890

carmen@utilitough.com, shannon@utilitough.com, frontdesk@utilitough.com



Distributor of agricultural, construction and landscape equipment

Kanga Mini Skid Steer 6, 7 & 8 Series Attachments

Hydraulic Angle Blade

WIDTH 47"
TILT ANGLE 22°
WEIGHT 166 lbs



Stump Grinder

BLADE DIAMETER 15"
TEETH 4 Pairs
VARIABLE TILT 90°
WEIGHT (AUXILIARY FUEL TANK) 20 lbs
WEIGHT (GRINDER) 543 lbs



Trencher

CUTTING WIDTH 6"
WEIGHT WITH A COMBO CHAIN 483 lbs





Distributor of agricultural, construction and landscape equipment

Kanga Mini Skid Steer 6, 7 & 8 Series Attachments

Power Head - Direct Drive

FORWARD/REVERSE	Fingertip Controls
TORQUE	1234 ft lbs at 80 rpm
MAX FLOW	10.6 gpm at 2300 psi
WEIGHT	117 lbs



Power Head - Round Shaft Planetary

FORWARD/REVERSE	Fingertip Controls
TORQUE	1962 ft lbs
SPEED	0-50 rpm
WEIGHT	139 lbs



Power Head - Square Shaft Planetary

FORWARD/REVERSE	Fingertip Controls
TORQUE	1962 ft lbs
SPEED	0-50 rpm
WEIGHT	152 lbs



UtiliTough.com

1425 Wilson Road Newberry, SC 29108

803.597.6890

carmen@utilitough.com, shannon@utilitough.com, frontdesk@utilitough.com



Distributor of agricultural, construction and landscape equipment

Kanga Mini Skid Steer 6, 7 & 8 Series Attachments

Auger Extensions

SIZE	500mm	1000mm
LENGTH	24"	44"
WEIGHT	20 lbs	31 lbs



Augers

DIAMETER	LENGTH	WEIGHT
6"	42"	287 lbs
8"	42"	31 lbs
9"	42"	40 lbs
10"	42"	42 lbs
12"	42"	55 lbs
14"	42"	57 lbs
16"	42"	73 lbs
18"	42"	84 lbs
20"	35"	88 lbs
24"	38"	108 lbs
30"	38"	128 lbs





UTILITOUGH

Mini Skid Steer Attachment Section



POWER. PRODUCTIVITY. PROVEN PERFORMANCE.



Distributor of agricultural, construction and landscape equipment

Mini Skid Steer Low Profile Bucket

- 1/4" x 4" cutting edge material
- 1/4" bucket wrap
- Available with welded teeth



Model #	Sizes Available	Description	Bucket Height	Overall Depth	Est. Weight
1GPMN34	34"	Mini Low Profile Bucket	20"	"	134
1GPMN34WT		Mini Low Profile Bucket w/ Welded Teeth			204
1GPMN36	36"	Mini Low Profile Bucket			212
1GPMN36WT		Mini Low Profile Bucket w/ Welded Teeth			238
1GPMN42	42"	Mini Low Profile Bucket			232
1GPMN42WT		Mini Low Profile Bucket w/ Welded Teeth			268
1GPMN44	44"	Mini Low Profile Bucket			237
1GPMN44WT		Mini Low Profile Bucket w/ Welded Teeth			271
1GPMN48	48"	Mini Low Profile Bucket			257
1GPMN48WT		Mini Low Profile Bucket w/ Welded Teeth			291



Distributor of agricultural, construction and landscape equipment

Mini Skid Steer High Capacity Bucket

- Ideal for low weight materials such as snow and mulch
- 1/4" x 4" cutting edge material
- 3/16" bucket wrap
- Available with welded teeth



Model #	Sizes Available	Description	Bucket Height	Overall Depth	Est. Weight
1GPMNHC36	36"	Mini High Capacity Bucket	"	"	180
1GPMNHC42	42"	Mini High Capacity Bucket			208
1GPMNHC44	44"	Mini High Capacity Bucket			220
1GPMNHC48	48"	Mini High Capacity Bucket			237
1GPMNHC52	52"	Mini High Capacity Bucket			258
1GPMNHC54	54"	Mini High Capacity Bucket			266



Distributor of agricultural, construction and landscape equipment

Mini Skid Steer 4in1 Bucket

- 1/2" x 4" leading cutting edge
- 2" x 6" hydraulic cylinders
- Available with welded teeth
- Grease fittings at every pivot point



Model #	Sizes Available	Description	Struck Capacity	Est. Weight
1MPMN44	44"	Mini 4in1 Bucket	cu ft	369
1MPMN44WT		Mini 4in1 w/ Welded Teeth		400
1MPMN48	48"	Mini 4in1 Bucket	cu ft	387
1MPMN48WT		Mini 4in1 w/ Welded Teeth		419

Mini Skid Steer Stump Grapple

- 3/4" x 6" cutting edge material
- Serrated sides to cut through roots
- 3 welded teeth
- 2" x 10" hydraulic cylinder



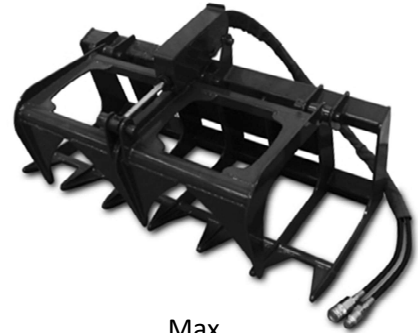
Model #	Max Opening	Description	Est. Weight
1SGMNWT	"	Mini Stump Grapple	418



Distributor of agricultural, construction and landscape equipment

Mini Skid Steer Root Grapple

- Ideal for clearing brush and debris while leaving the dirt behind
- 5/16" material
- 2" x 10" cylinder
- Grease fitting at every pivot point



Model #	Sizes Available	Description	Max Grapple Opening	Est. Weight
1RGMN36	36"	Mini Root Grapple, Single Cylinder	"	246
1RGMN42	42"	Mini Root Grapple, Single Cylinder		284
1RGMN44	44"	Mini Root Grapple, Single Cylinder		297
1RGMN48	48"	Mini Root Grapple, Single Cylinder		324
1RGMN54	54"	Mini Root Grapple, Single Cylinder		365

Mini Skid Steer Grapple Bucket

- 3/4" x 6" cutting edge material
- 2" x 10" cylinder
- Grease fitting at every pivot point



Model #	Sizes Available	Description	Max Grapple Opening	Est. Weight
1GBMN36	36"	Mini Grapple Bucket, Single Cylinder	"	304
1GBMN42	42"	Mini Grapple Bucket, Single Cylinder		347
1GBMN44	44"	Mini Grapple Bucket, Single Cylinder		355
1GBMN48	48"	Mini Grapple Bucket, Single Cylinder		384
1GBMN54	54"	Mini Grapple Bucket, Single Cylinder		432



Distributor of agricultural, construction and landscape equipment

Premium Series Mini Skid Steer Grapple Rake

- Protected cylinders and hoses
- Aggressive tine design for gripping material
- 1" greaseable pivot pins
- The guard allows great visibility of the front teeth while protecting machine and operator



Model #	Sizes Available	Description	Tine Spacing	Grapple Opening	Est. Weight
1GRMN42-D	42"	Premium Mini Grapple Rake	6"	36"	350



Distributor of agricultural, construction and landscape equipment

Mini Skid Steer Grapple Rake

- 5/16" thick tines
- 2" x 6" cylinders
- Grease fitting at every pivot point



Model #	Sizes Available	Description	Est. Weight
1GRMN44	44"	Mini Grapple Rake, Dual Cylinder	252
1GRMN48	48"	Mini Grapple Rake, Dual Cylinder	274

Mini Skid Steer Rock Bucket

- 1/2" x 4" cutting edge material
- 5/16" material
- 2-3/8" spacing



Model #	Sizes Available	Description	Overall Height	Overall Depth	Est. Weight
1RKBMN36	36"	Mini Rock Bucket	"	"	195
1RKBMN44	44"	Mini Rock Bucket			224
1RKBMN48	48"	Mini Rock Bucket			244



Distributor of agricultural, construction and landscape equipment

Mini Skid Steer Rotary Tiller

- Rated for 10-20 GPM
- Bi-directional rotation and can till ground up to 6" deep
- 2-3/8" diameter tine rod
- Bolt-on replaceable tines
- 3/8" sides and shoes



Model #	Sizes Available	Description	Est. Weight
1TILMN44	44"	Mini 44" Rotary Tiller	561
1TILMN54	54"	Mini 54" Rotary Tiller	689

Mini Skid Steer Concrete Bucket

- Accurately place concrete in areas inaccessible to trucks without any waste
- 3/16" material
- 1/4 yard capacity



Model #	Sizes Available	Description	Est. Weight
1CBMN1/4YD	1/4 yard	Mini Concrete Bucket	253



Distributor of agricultural, construction and landscape equipment

Mini Skid Steer Pallet Frame & Forks

- 2,800 lbs load capacity
- Class I heat treated forks



Model #	Fork Length	Description	Rated Capacity	Est. Weight
1PFMN36	36"	Mini Pallet Frame & Forks	2,800 lbs	269
1PFMN42	42"	Mini Pallet Frame & Forks		305

Mini Skid Steer Land Leveler

- " cutting edge material



Model #	Sizes Available	Description	Overall Height	Overall Depth	Est. Weight
1LLMN36	36"	Mini Land Leveler	"	"	135
1LLMN44	44"	Mini Land Leveler			149
1LLMN48	48"	Mini Land Leveler			159



Distributor of agricultural, construction and landscape equipment

Mini Skid Steer Soil Conditioner

- Ideal for golf courses, wineries, paving, and a great tool for contractors
- Grades, levels, rakes, and removes debris, pulverizing and preparing the ground for new seedbed, turf or to remove old lawn and weeds
- A fully hydraulic bi-directional drum to work soil in both directions
- Foldable legs and removable jockey wheels
- Hydraulic angling to 20° in either direction



Model #	Sizes Available	Description	Drum Width	Overall Width	Length Wheels Down	Length No Wheels	Oil Flow Required	Max Pressure	Est. Weight
1SCMN48	48"	Mini Soil Conditioner	48"	58"	55"	31"	9-20 GPM	3500 PSI @ 16 GPM	743
1SCMN60	60"	Mini Soil Conditioner	60"	70"					760



Distributor of agricultural, construction and landscape equipment

Mini Skid Steer Log Grapple

- The swivel mount with free rotation means less maintenance and less weight, allowing you to lift more
- No Lock is needed
- Automatically returns to center
- Fully assembled and ready to go to work
- Some models use Hardox wear plate in the body and arms to provide superior abrasion resistance

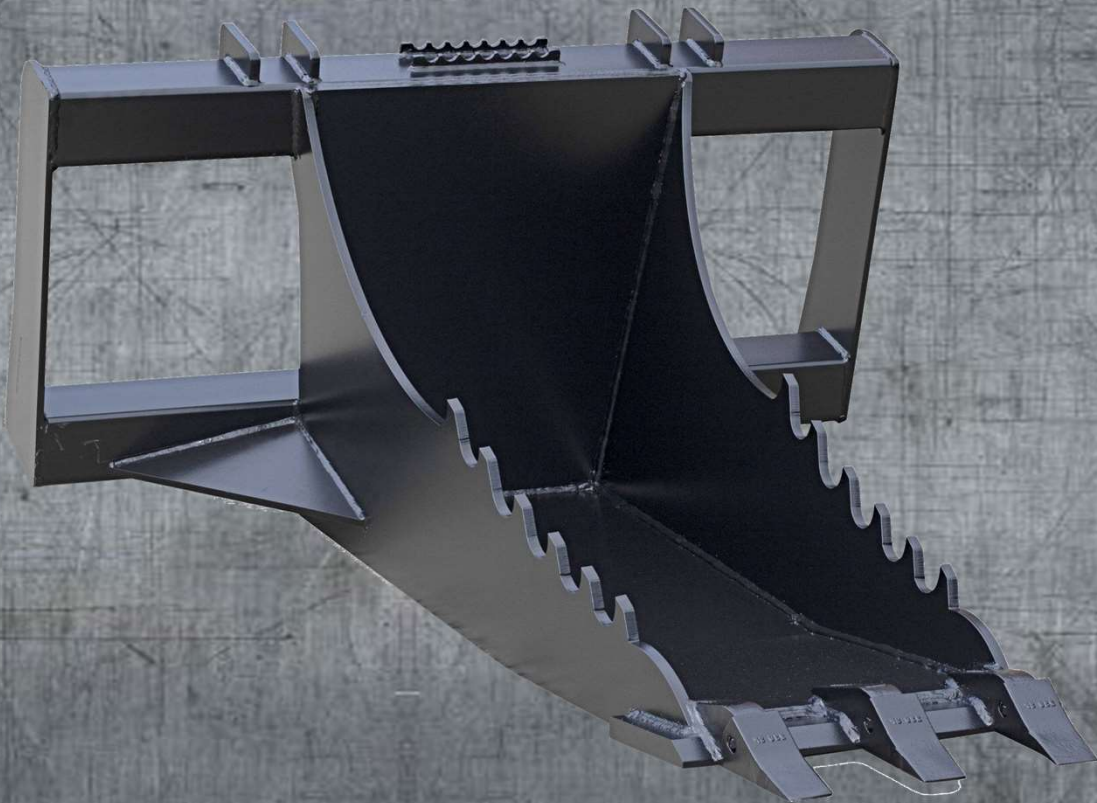


Model #	Description	Opening	Wrapping Diameter	Lift Capacity	Recommended PSI	Est. Weight
1LGMN01	Mini Log Grapple	56"	36"	2000	3000	239
1LGMN02	Mini Log Grapple w/ Hardox Plate	56"		3000		265
1LGMN03	Mini Log Grapple w/ Hardox Plate	66"		3000		300



UTILITOUGH

Tree & Stump Removal Attachment Section



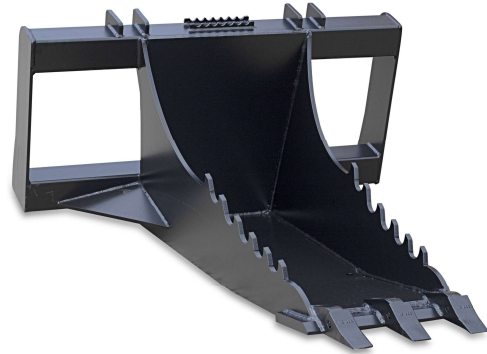
POWER. PRODUCTIVITY. PROVEN PERFORMANCE.



Distributor of agricultural, construction and landscape equipment

Xtreme Stump Bucket

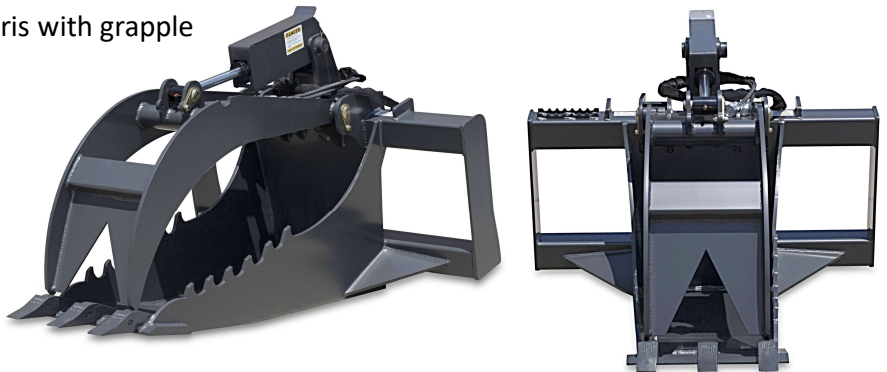
- Rated for 65HP machines and above
- 1" x 8" cutting edge material
- Serrated sides to cut through roots
- Long curved bottom allows maximum prying power
- 3 welded teeth
- 1/2" material



Model #	Front Width	Rear Width	Description	Est. Weight
1SBXDWT	14"	20"	Xtreme Stump Bucket	625

Xtreme Stump Grapple

- Rated for 65HP machines and above
- 1" x 8" cutting edge material
- Serrated sides to cut through roots
- Easily transport stumps and debris with grapple
- 3 welded teeth
- 1/2" material



Model #	Front Width	Rear Width	Max Opening	Description	Est. Weight
1SGXDWT	14"	20"	54"	Xtreme Stump Grapple	740

POWER. PRODUCTIVITY. PROVEN PERFORMANCE.



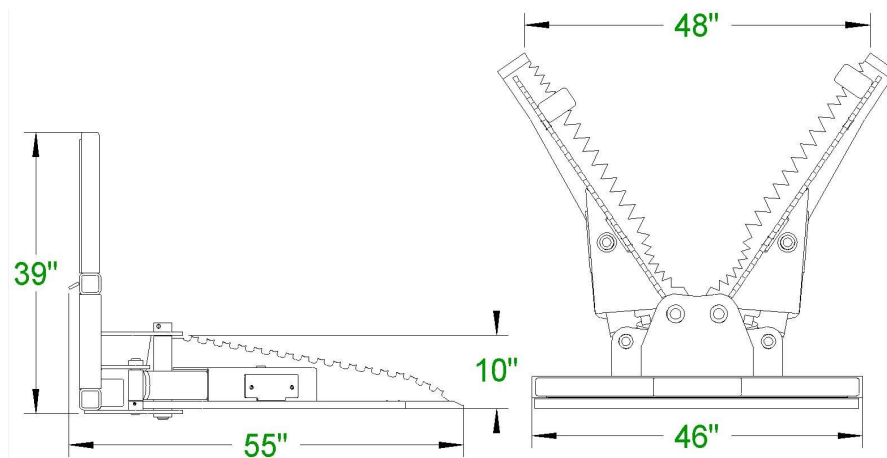
Distributor of agricultural, construction and landscape equipment

Xtreme Tree & Stump Remover

- Ideal for pulling up large trees and stumps
- Dual 3.5" x 4" cylinders
- 1-1/2" main pivot pins
- Replaceable 1" x 8" cutting edge
- 34 of 5/8" AR400 vertical teeth
- 32 of 1" AR400 horizontal teeth



Model #	Description	Max Opening	Est. Weight
1TSRXD	Xtreme Tree & Stump Remover	48"	667



POWER. PRODUCTIVITY. PROVEN PERFORMANCE.



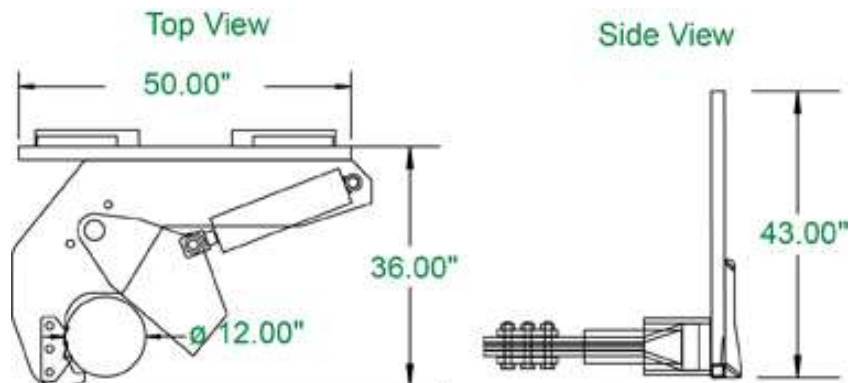
Distributor of agricultural, construction and landscape equipment

Xtreme Tree Shear

- Cut up to 12" diameter trees and logs
- 30 tons of shearing force
- 5" x 12" cylinder
- 1" thick AR400 blade



Model #	Description	Est. Weight
1TSHXD	Xtreme Tree Shear	977



POWER. PRODUCTIVITY. PROVEN PERFORMANCE.



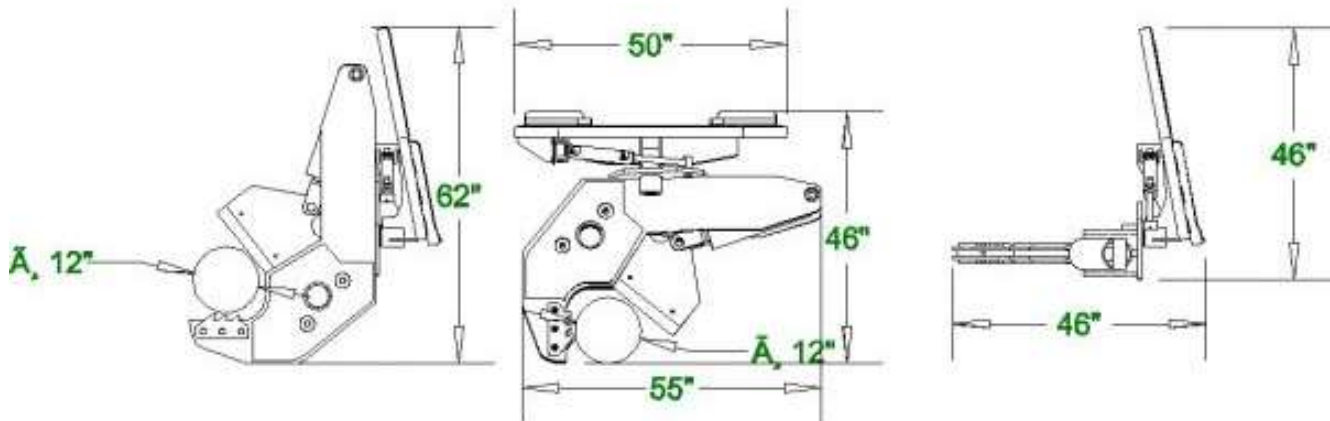
Distributor of agricultural, construction and landscape equipment

Xtreme Rotating Tree Shear

- Cut up to 12" diameter trees and logs
- 40 tons of shearing force
- 5" x 12" cylinder
- 1" thick AR400 blade
- 90 degree rotation
- Available in manual or hydraulic rotation
- Optional 8 pin or 14 pin universal wiring harness



Model #	Description	Est. Weight
1TSHMRXD	Xtreme Tree Shear Manual Rotating	999
1TSHHRXD	Xtreme Tree Shear Hydraulic Rotating	1056



POWER. PRODUCTIVITY. PROVEN PERFORMANCE.

Utilitough.com
 1425 Wilson Road Newberry, SC 29108
 803.597.6890
carmen@utilitough.com, shannon@utilitough.com, frontdesk@utilitough.com



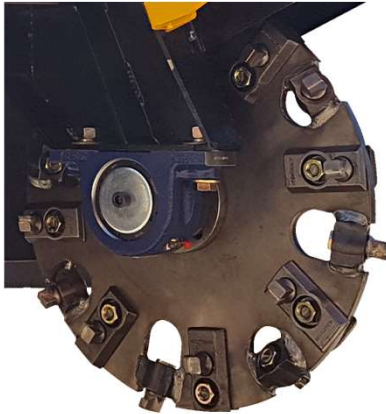
Distributor of agricultural, construction and landscape equipment

Elite Stump Grinder

- Effortlessly and quickly grind down stumps of various sizes
- 35HP Kohler gas engine
- 6 gallon fuel tank
- Dual arc cylinders
- 2" Over-Sized cutter wheel shaft for increased durability
- 3 tie down points

Cutter Wheel

- 20" Diameter
- 1/2" thickness
- 20" cutting depth
- 24" cutting height
- 16 rotatable teeth
- Tooth holders are grade 8 heat treated material



Model #	Description	Overall Length	Overall Height	Overall Width	Cutting Depth	Est. Weight
1SGSS01	Elite Skid Steer Stump Grinder	48"	50"	35"	20"	750

POWER. PRODUCTIVITY. PROVEN PERFORMANCE.

Utilitough.com
 1425 Wilson Road Newberry, SC 29108
 803.597.6890
carmen@utilitough.com, shannon@utilitough.com, frontdesk@utilitough.com



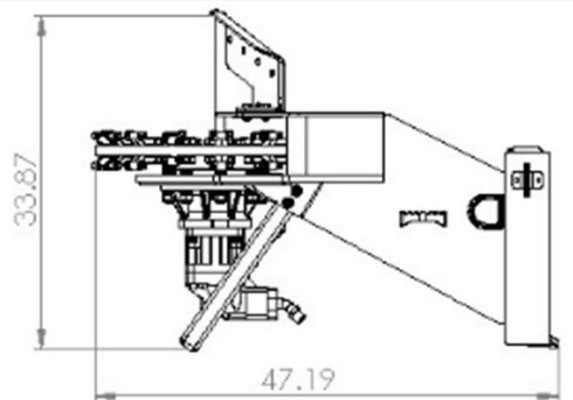
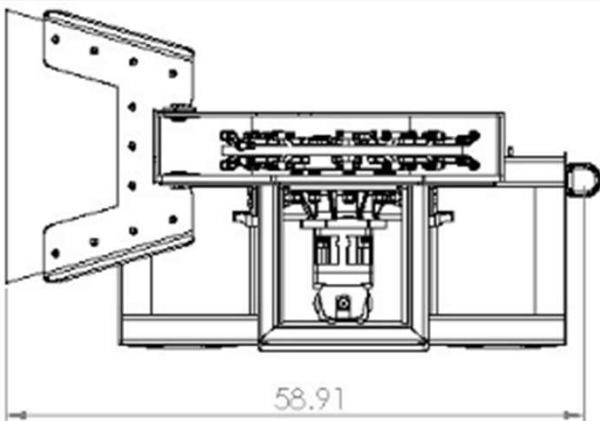
Distributor of agricultural, construction and landscape equipment

Premium Stump Grinder

- High cutting visibility
- Fully welded farm
- Three flow options
- 900 series Wearsharp teeth



Model #	Description	# of Teeth	Motor Type	GPM	Wheel Diameter	Est. Weight
1SG1727	Premium Stump Grinder	30	Radial Piston	17-27	27.5"	836
1SG2030	Premium Stump Grinder		Parker Bent Axis Piston	20-30		
1SG3044	Premium Stump Grinder		Radial Piston	30-44		



POWER. PRODUCTIVITY. PROVEN PERFORMANCE.



UTILITOUGH

Specialty Attachments Section



POWER. PRODUCTIVITY. PROVEN PERFORMANCE.



Distributor of agricultural, construction and landscape equipment

Premium Series Root Rake

- Ideal for fast clean-ups, vegetation management, sifting soil/rocks and removing unwanted shrubbery and overgrowth
- Convenient steps on either side for easy machine access
- 5/8" thick tines



Optional Safety Guard

Safety guard can be bolted on to rake for added operator protection

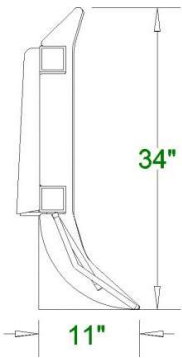
Model #	Sizes Available	Tines Spacing	# of Tines	Description	Overall Height	Overall Depth	Est. Weight
1RR84	84"	6"	13	Premium Series Root Rake	31"	15"	590



Distributor of agricultural, construction and landscape equipment

Xtreme Series Root Rake

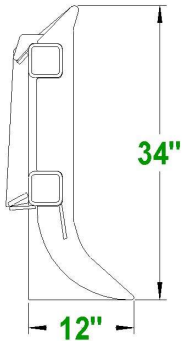
- Rated for 65HP machines and above
- 5/8" material
- Excellent for rolling debris into piles



Model #	Sizes Available	Tines Spacing	Description	Est. Weight
1RRXD66	66"	6"	Xtreme Root Rake	450
1RRXD72	72"		Xtreme Root Rake	484
1RRXD78	78"		Xtreme Root Rake	516
1RRXD84	84"		Xtreme Root Rake	554
1RRXD96	96"		Xtreme Root Rake	622

Severe Series Root Rake

- Rated for 85HP machines and above
- 3/4" AR400 material
- Excellent for rolling debris into piles



Model #	Sizes Available	Tines Spacing	Description	Est. Weight
1RRSV72	72"	6"	Severe Root Rake	572
1RRSV84	84"		Severe Root Rake	663
1RRSV96	96"		Severe Root Rake	750

Utilitough.com

1425 Wilson Road Newberry, SC 29108

803.597.6890

carmen@utilitough.com, shannon@utilitough.com, frontdesk@utilitough.com



Distributor of agricultural, construction and landscape equipment

Compact Rock Bucket

- Rated for 35HP machines and below
- Designed to sift through loose soil and remove rocks and debris while leaving the dirt behind
- Rock dam section for prolonged screening without losing material
- 5/16" material



Model #	Sizes Available	Description	Tine Spacing	Bucket Floor Length	Bucket Height	Est. Weight
1RKBCMP48	48"	Compact Rock Bucket	3"	27"	20"	212
1RKBCMP54	54"	Compact Rock Bucket				235
1RKBCMP60	60"	Compact Rock Bucket				255
1RKBCMP66	66"	Compact Rock Bucket				285
1RKBCMP72	72"	Compact Rock Bucket				310

Heavy Duty Rock Bucket

- Rated for 65HP machines and above
- Designed to sift and remove rocks while leaving the dirt behind
- Rock dam section for prolonged screening without losing material
- 3/4" x 6" cutting edge material
- 3/8" material



Model #	Sizes Available	Description	Tine Spacing	Bucket Floor Length	Bucket Height	Est. Weight
1RKBHD63	63"	Heavy Duty Rock Bucket	2.5"	34"	19"	435
1RKBHD66	66"	Heavy Duty Rock Bucket				479
1RKBHD72	72"	Heavy Duty Rock Bucket				524
1RKBHD78	78"	Heavy Duty Rock Bucket				556
1RKBHD81	81"	Heavy Duty Rock Bucket				588
1RKBHD84	84"	Heavy Duty Rock Bucket				620



Distributor of agricultural, construction and landscape equipment

Xtreme Rock Bucket

- Rated for 65HP machines and above
- Reinforced 5" tall rock dam section for prolonged screening without losing material
- 3/8" material



Model #	Sizes Available	Description	Tine Spacing	Bucket Floor Length	Bucket Height	Est. Weight
1RKBXD66	66"	Xtreme Rock Bucket	3"	42"	21"	699
1RKBXD72	72"	Xtreme Rock Bucket				719
1RKBXD78	78"	Xtreme Rock Bucket				760
1RKBXD81	81"	Xtreme Rock Bucket				780
1RKBXD84	84"	Xtreme Rock Bucket				818



Distributor of agricultural, construction and landscape equipment

Heavy Duty Land Leveler

- Rated for 65HP machines and below
- Ideal for site preparation
- 3/8" material on side plates and back braces
- 3/4" x 6" cutting edge material



Model #	Sizes Available	Overall Height	Overall Depth	Description	Est. Weight
1LLHD66	66"	25"	49"	Heavy Duty Land Leveler	456
1LLHD72	72"			Heavy Duty Land Leveler	465
1LLHD78	78"			Heavy Duty Land Leveler	500
1LLHD84	84"			Heavy Duty Land Leveler	520

Xtreme Series Land Leveler

- Rated for 65HP machines and above
- Ideal for side preparation
- 3/8" material on side plates and center supports
- Leveling bars constructed from AR400 material
- 3/4" x 6" double beveled bolt-on cutting edge



Model #	Sizes Available	Overall Height	Overall Depth	Description	Est. Weight
1LLXD72	72"	25"	43"	Xtreme Land Leveler	471
1LLXD78	78"			Xtreme Land Leveler	497
1LLXD84	84"			Xtreme Land Leveler	523



Distributor of agricultural, construction and landscape equipment

Compact Manure Fork

- Rated for 55HP machines and below
- Replaceable 1-1/2" cold rolled steel tines



Model #	Sizes Available	Description	Overall Height	Overall Depth
1MFCMP48	48"	Compact Manure Fork	21"	30"
1MFCMP54	54"	Compact Manure Fork		
1MFCMP60	60"	Compact Manure Fork		
1MFCMP66	66"	Compact Manure Fork		
1MFCMP72	72"	Compact Manure Fork		

Xtreme Manure Fork

- Rated for 65HP machines and above
- Replaceable 2" cold rolled steel tines



Model #	Sizes Available	Description	Overall Height	Overall Depth	Est. Weight
1MFXD63	63"	Xtreme Manure Fork	22"	33"	685
1MFXD66	66"	Xtreme Manure Fork			705
1MFXD72	72"	Xtreme Manure Fork			730
1MFXD78	78"	Xtreme Manure Fork			772
1MFXD81	81"	Xtreme Manure Fork			819
1MFXD84	84"	Xtreme Manure Fork			829



Distributor of agricultural, construction and landscape equipment

Compact Manure Fork Grapple

- Rated for 55HP machines and below
- Replaceable 1-1/2" cold rolled steel tines



Model #	Sizes Available	Description	Overall Height	Overall Depth	Max Grapple Opening	Est. Weight
1MFGCMP54	54"	Compact Manure Fork Grapple	21"	30"	32"	355
1MFGCMP60	60"	Compact Manure Fork Grapple				404
1MFGCMP66	66"	Compact Manure Fork Grapple				516
1MFGCMP72	72"	Compact Manure Fork Grapple				527

Xtreme Manure Fork Grapple

- Rated for 65HP machines and above
- Replaceable 2" cold rolled steel tines



Model #	Sizes Available	Description	Overall Height	Overall Depth	Max Grapple Opening	Est. Weight
1MFGXD63	63"	Xtreme Manure Fork Grapple	22"	33"	40"	810
1MFGXD66	66"	Xtreme Manure Fork Grapple				830
1MFGXD72	72"	Xtreme Manure Fork Grapple				877
1MFGXD78	78"	Xtreme Manure Fork Grapple				897
1MFGXD81	81"	Xtreme Manure Fork Grapple				944
1MFGXD84	84"	Xtreme Manure Fork Grapple				954



Distributor of agricultural, construction and landscape equipment

Xtreme Concrete Claw

- Rated for 65HP machines and above
- 1" x 8" cutting edge material
- 3/8" bottom & top plates
- Designed to pick up slabs of broken concrete
- 3 welded teeth



Model #	Description	Overall Height	Rear Opening Height	Working Width	Est. Weight
1CCXDWT	Xtreme Concrete Claw	22.5"	7.5"	24"	631

Xtreme Tooth Bars

- Ideal for loosening soil and grubbing out rock
- Convert a smooth bucket into a tooth bucket in minutes
- 1/2" x 4" cutting edge material
- Designed to accommodate 3/4" thick front weld-on edge



Model #	# of Teeth	Description	Est. Weight
1TB48-56	5	Xtreme Tooth Bar	100
1TB57-65	6	Xtreme Tooth Bar	105
1TB66-74	7	Xtreme Tooth Bar	120
1TB75-83	8	Xtreme Tooth Bar	130
1TB84-96	9	Xtreme Tooth Bar	155



Distributor of agricultural, construction and landscape equipment

Sweeper Bucket Broom

- Ideal for warehouses, machine sheds, parking lots, job sites
- The cutting edge helps cut loose caked-on mud, while the sweeper's poly bristles deposit dirt and debris inside the container which can be dumped when full
- Sweeps and collects all kinds of debris
- An optional side gutter broom can be attached to the broom and operated through hydraulic lines



Optional side gutter broom



Model #	Sizes Available	Description	Max Flow	Max Pressure	Brush Diameter	Overall	Overall	Overall	Est. Weight
						Width	Height	Depth	
1BRBK60	60"	Sweeper Bucket Broom	20 GPM	3500 PSI	26"	74"	30"	50"	350
1BRBK72	72"	Sweeper Bucket Broom				86"			1060
1BRBK84	84"	Sweeper Bucket Broom				98"			1165



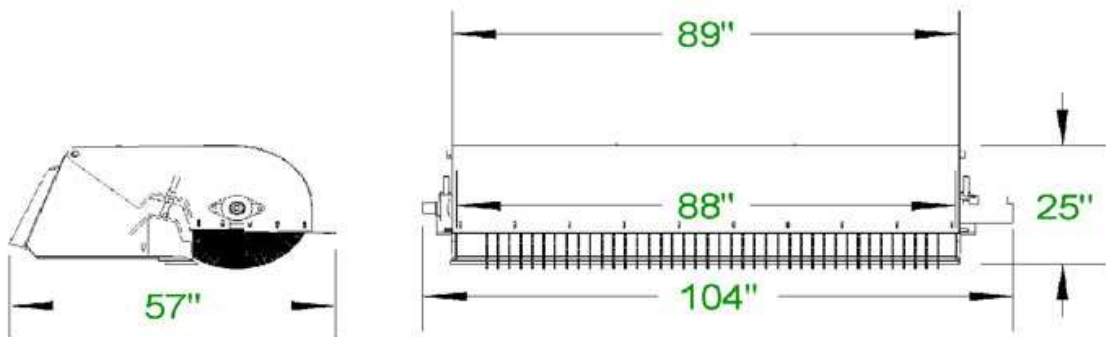
Distributor of agricultural, construction and landscape equipment

Xtreme Pickup Broom

- Adjustable height allows for different scenarios and wear
- Available in poly, wire, or mix
- Replaceable bolt-on edge included
- The 8" Hub and 26" wafers sweep material into the bucket, and the manual hinging broom allows for easy transfer and disposal



Model #	Sizes Available	Description	Overall Height	Overall Depth	Est. Weight
1BRPU72	72"	Xtreme Pickup Broom	25"	57"	1133
1BRPU84	84"	Xtreme Pickup Broom			1276





Distributor of agricultural, construction and landscape equipment

Sweeper Angle Broom

- Ideal for warehouses, machine sheds, parking lots, and job sites
- Sweeps and collects all kinds of debris
- Eaton Motor
- Available with manual or hydraulic angle
- 30° angle left and right
- Fold away stands
- Optional front caster wheel



Shown with optional front caster wheel

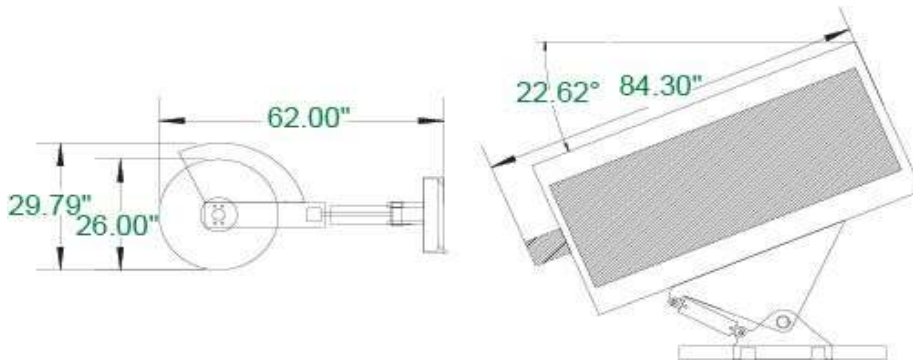
Model #	Sizes Available	Description	Max Flow	Max Pressure	Brush Diameter	Overall Height	Overall Depth	Est. Weight
1BR SMA72	72"	Sweeper Manual Angle Broom	20 GPM	2250 PSI	32"	47"	77"	1063
1BR SHA72		Sweeper Hydraulic Angle Broom						
1BR SMA84	84"	Sweeper Manual Angle Broom						1115
1BR SHA84		Sweeper Hydraulic Angle Broom						
1BR SMA96	96"	Sweeper Manual Angle Broom						1182
1BR SHA96		Sweeper Hydraulic Angle Broom						



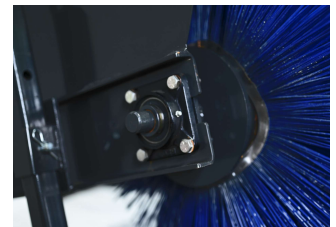
Distributor of agricultural, construction and landscape equipment

Xtreme Angle Broom

- Rated for 65HP machines and above
- Ideal for sidewalks, parking lots, warehouses, and roads
- Unique bristle design can clean away dirt, light snow and other debris
- 8" broom core and 26" wafer diameter
- Broom angles left and right
- Available with manual or hydraulic angle
- 2" x 6" cylinder
- Available with universal, 7, 8, or 14 pin wiring harness



Model #	Sizes Available	Description	Est. Weight
1BRMA48	48"	Extreme Manual Angle Broom	600
1BRHA48		Extreme Hydraulic Angle Broom	564
1BRMA60	60"	Extreme Manual Angle Broom	642
1BRHA60		Extreme Hydraulic Angle Broom	635
1BRMA72	72"	Extreme Manual Angle Broom	683
1BRHA72		Extreme Hydraulic Angle Broom	706
1BRMA84	84"	Extreme Manual Angle Broom	724
1BRHA84		Extreme Hydraulic Angle Broom	747
1BRMA96	96"	Extreme Manual Angle Broom	788
1BRHA96		Extreme Hydraulic Angle Broom	765

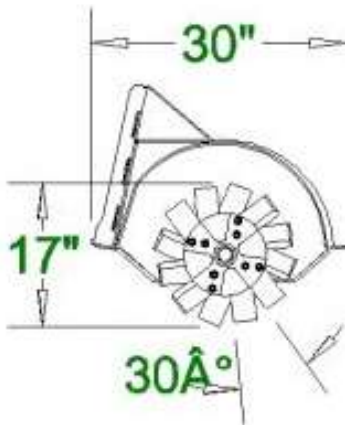




Distributor of agricultural, construction and landscape equipment

Xtreme Skid Steer Rotary Tiller

- Available in low flow and high flow
- Bolt-on replaceable tines
- Single parker motor with internal relief valve on low flow model
- Dual parker motors with internal relief valves on high flow models
- 3/8" sides
- 3/8" thick shoes
- 1/4" plate, rolled housing



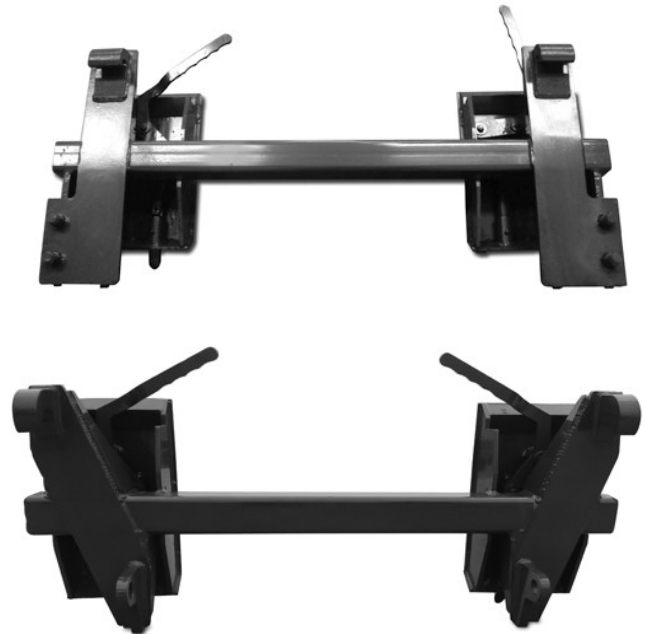
Model #	Sizes		Description	Est. Weight
	Available			
1TILLF72	72"		Xtreme Rotary Tiller Low Flow (14-20 GPM)	794
1TILHF72	72"		Xtreme Rotary Tiller High Flow (20-40 GPM)	856
1TILHF84	84"		Xtreme Rotary Tiller High Flow (20-40 GPM)	949



Distributor of agricultural, construction and landscape equipment

Skid Steer Conversion Brackets

- Easily convert tractor loaders to a skid steer quick attach
- John Deere 400/500 series loader conversion available
- Euro loader conversion available



Model #	Description	Est. Weight
1HITCON01	Euro to Skid Steer Conversion	137
1HITCON02	JD 200, 300, 400 to Skid Steer Conversion	146
1HITCON03	JD 400, 500 to Skid Steer Conversion	154
1HITCON04	JD 500 to Skid Steer Conversion	154
1HITCON05	JD 600, 700 to Skid Steer Conversion	197



Distributor of agricultural, construction and landscape equipment

Skid Steer Weld-on Brackets

- Easily convert your existing attachment to the universal skid steer hookup
- Available in 1/4", 3/8" and 1/2" plate thickness



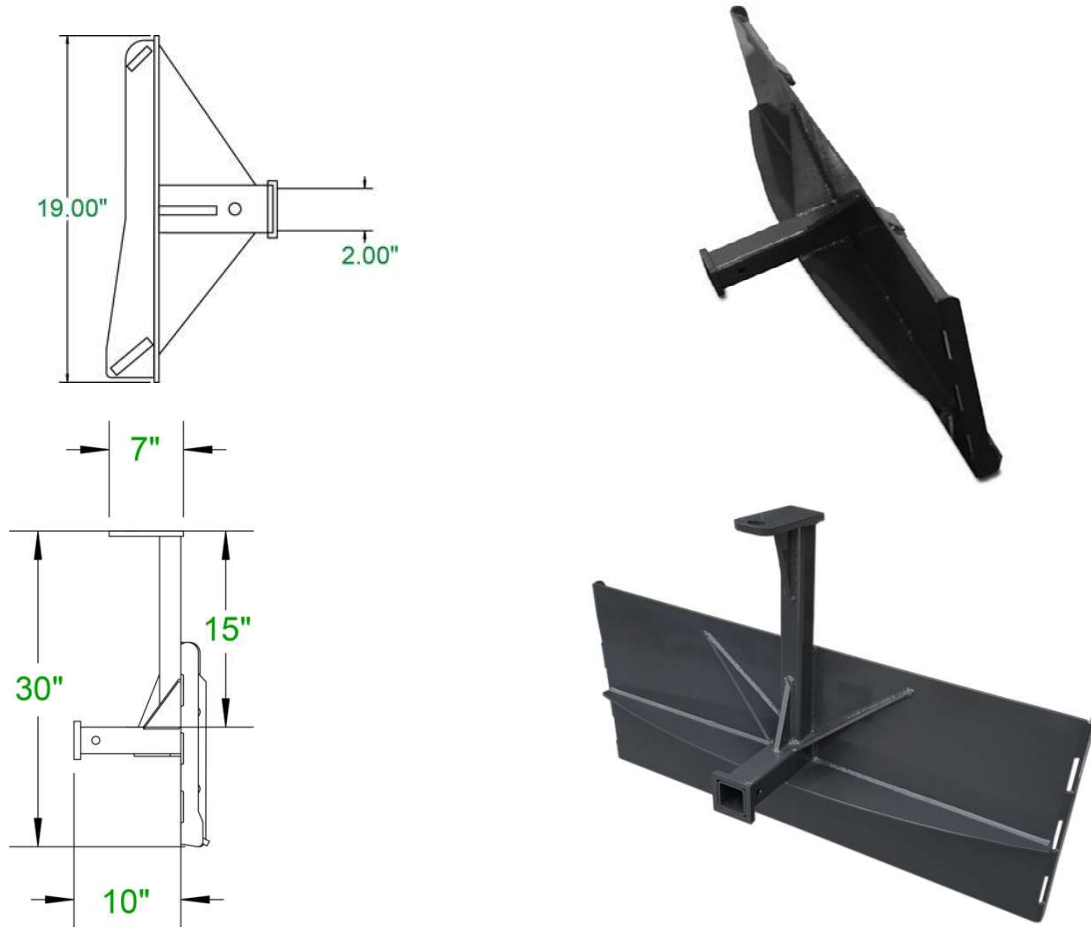
Model #	Plate Thickness	Description	Est. Weight
1HITUNI01	1/4"	Universal Weld-on Quick Attach	77
1HITUNI02	3/8"	Universal Weld-on Quick Attach	113
1HITUNI03	1/2"	Universal Weld-on Quick Attach	140



Distributor of agricultural, construction and landscape equipment

Skid Steer Receiver Hitch

- A convenient way of moving around equipment trailers, utility trailers, or boat trailers
- 4,000 LB weight rating
- 2" receiver tube
- Available in tag along and goose neck
- Does not include receiver or ball



Model #	Description	Est. Weight
1HITR01	Receiver Hitch	97
1HITGR01	Goose Neck Receiver Hitch	111



UTILITOUGH

Snow Removal Attachment Section



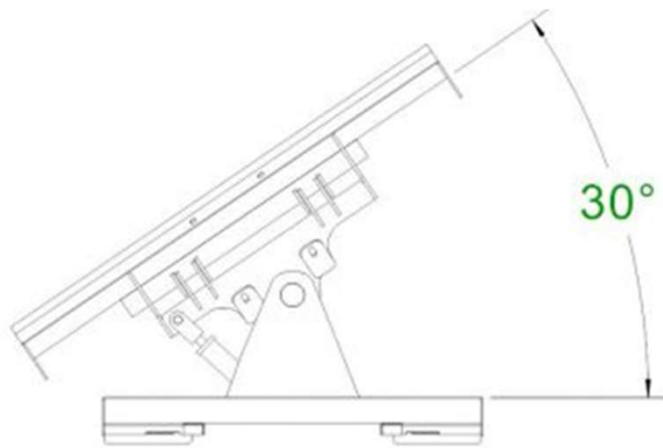
POWER. PRODUCTIVITY. PROVEN PERFORMANCE.



Distributor of agricultural, construction and landscape equipment

Compact Snow Blade

- Rated for 45HP machines and below
- Available in manual angle or hydraulic angle
- Angles to 30 degrees
- 2" x 6" hydraulic cylinder
- 1/2" AR400 bolt-on cutting edge



Model #	Sizes Available	Description	Blade Height	Overall Depth	Est. Weight
1SNBCMP48M	48"	Compact Snow Blade Manual Angle	22"	32"	409
1SNBCMP48H		Compact Snow Blade Hydraulic Angle			437
1SNBCMP54M	54"	Compact Snow Blade Manual Angle			425
1SNBCMP54H		Compact Snow Blade Hydraulic Angle			453
1SNBCMP60M	60"	Compact Snow Blade Manual Angle			457
1SNBCMP60H		Compact Snow Blade Hydraulic Angle			485
1SNBCMP66M	66"	Compact Snow Blade Manual Angle			477
1SNBCMP66H		Compact Snow Blade Hydraulic Angle			505
1SNBCMP72M	72"	Compact Snow Blade Manual Angle			497
1SNBCMP72H		Compact Snow Blade Hydraulic Angle			516
1SNBCMP78M	78"	Compact Snow Blade Manual Angle			508
1SNBCMP78H		Compact Snow Blade Hydraulic Angle			532
1SNBCMP84M	84"	Compact Snow Blade Manual Angle			519
1SNBCMP84H		Compact Snow Blade Hydraulic Angle			548

Utilitough.com

1425 Wilson Road Newberry, SC 29108

803.597.6890

carmen@utilitough.com, shannon@utilitough.com, frontdesk@utilitough.com



Distributor of agricultural, construction and landscape equipment

Xtreme Series Snow Blade

- Rated for 65HP machines and above
- Available in manual angle or hydraulic angle
- Angles to 30 degrees
- 3" x 6" hydraulic cylinder
- 1/2" AR400 bolt-on cutting edge
- Adjustable skid shoes



Model #	Sizes Available	Description	Blade Height	Overall Depth	Est. Weight
1SNBXD72M	72"	Xtreme Snow Blade Manual Angle	32"	57"	777
1SNBXD72H		Xtreme Snow Blade Hydraulic Angle			812
1SNBXD84M	84"	Xtreme Snow Blade Manual Angle			822
1SNBXD84H		Xtreme Snow Blade Hydraulic Angle			857
1SNBXD96M	96"	Xtreme Snow Blade Manual Angle			913
1SNBXD96H		Xtreme Snow Blade Hydraulic Angle			948
1SNBXD108M	108"	Xtreme Snow Blade Manual Angle			1027
1SNBXD108H		Xtreme Snow Blade Hydraulic Angle			1062
1SNBXD120M	120"	Xtreme Snow Blade Manual Angle			1145
1SNBXD120H		Xtreme Snow Blade Hydraulic Angle			1180



Distributor of agricultural, construction and landscape equipment

Xtreme Series Snow Pusher

- Rated for 65HP machines and above
- 1-1/2" x 8" reversible and replaceable rubber edge
- 1" thick AR400 skid shoes
- 3/8" side plates
- Optional back drag attachment available, allows for pulling snow away from buildings and sidewalks



Shown with optional back drag attachment

Model #	Sizes Available	Description	Blade Height	Overall Depth	Est. Weight
1SNPHXD72	72"	Xtreme Snow Pusher	37"	38"	856
1SNPHXD84	84"	Xtreme Snow Pusher			892
1SNPHXD96	96"	Xtreme Snow Pusher			951
1SNPHXD108	108"	Xtreme Snow Pusher			1016
1SNPHXD120	120"	Xtreme Snow Pusher			1052



Distributor of agricultural, construction and landscape equipment

Xtreme Series Snow Blower

- 14" auger
- Chute rotates 180 degrees
- Replaceable skid shoes
- Available in 8 pin and 14 pin or a universal controller

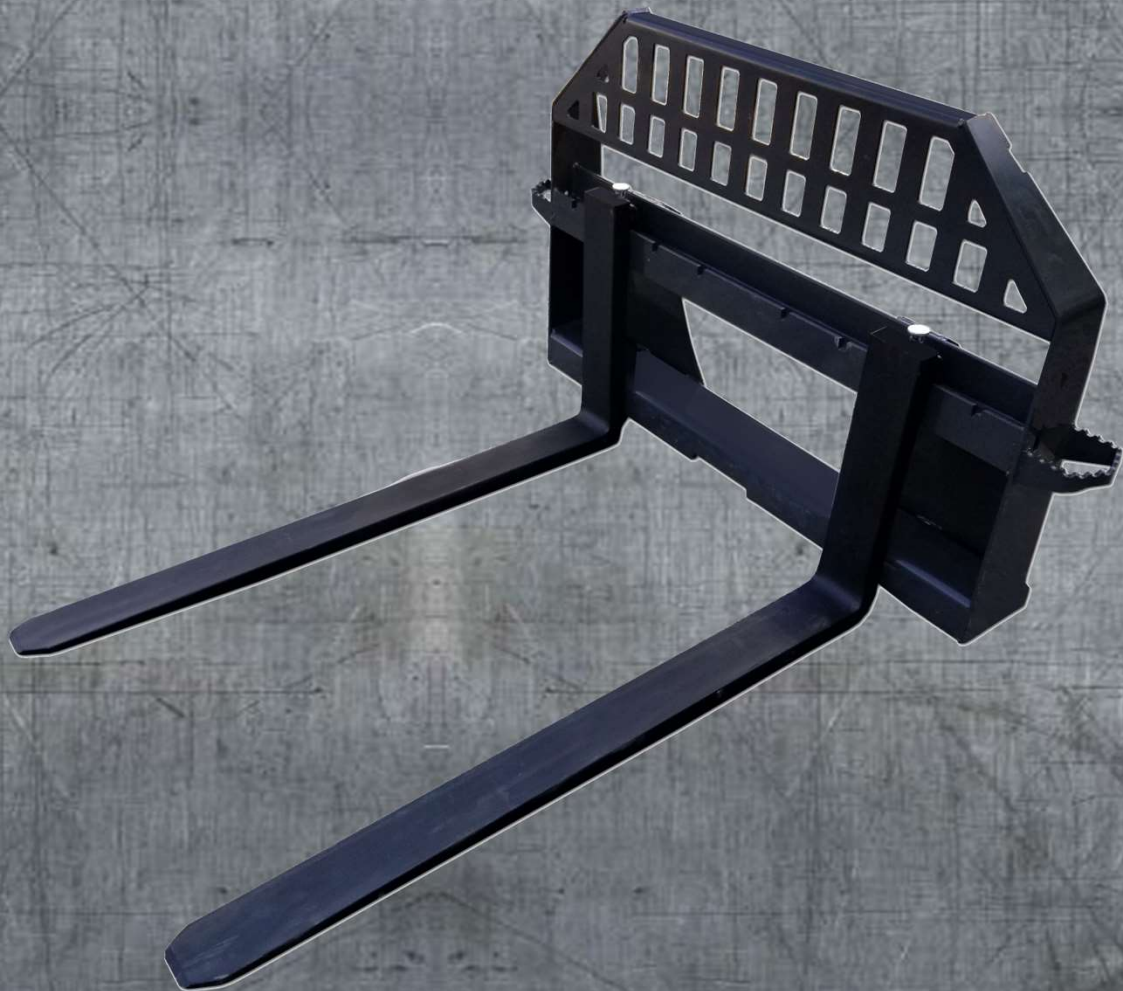


Model #	Sizes Available	Description	Required Flow Rate	Overall Depth	Overall Height	Est. Weight
1SNBLOW60	60"	Xtreme Snow Blower	15-25 GPM	37"	55"	618
1SNBLOW66	66"	Xtreme Snow Blower				680
1SNBLOW72	72"	Xtreme Snow Blower				741
1SNBLOW78	78"	Xtreme Snow Blower				803
1SNBLOW84	84"	Xtreme Snow Blower				865



UTILITOUGH

Pallet Frames & Forks Section



POWER. PRODUCTIVITY. PROVEN PERFORMANCE.



Distributor of agricultural, construction and landscape equipment

Compact Pallet Frame & Forks

- Ideal for machines with limited lifting capacity
- 2,000 lbs load capacity
- Class I heat treated forks
- Frame design provides better operator visibility



Model #	Fork Size	Description	Rated Capacity	Est. Weight
1PFCMP36-2000	3" X 36"	Compact Pallet Frame w/ 36" Forks	2,000	204
1FPCMP42-2000	3" X 42"	Compact Pallet Frame w/ 42" Forks		228



Distributor of agricultural, construction and landscape equipment

Heavy Duty Pallet Frame & Forks

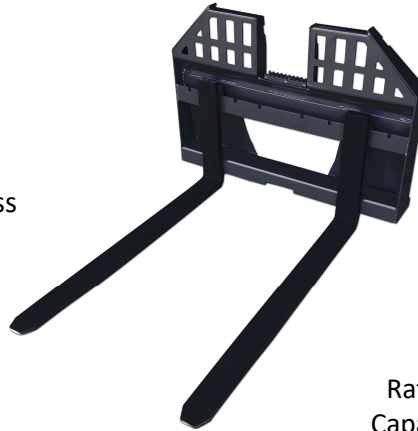
- 4,000 lbs load capacity
- Optional 5,500 lbs load capacity tines available
- Class II heat treated forks
- Frame design provides better operator visibility



Model #	Fork Size	Description	Rated Capacity	Est. Weight
1PFHD42-4000	4" x 42"	Heavy Duty Pallet Frame w/ 42" Forks	4,000	343
1PFHD48-4000	4" x 48"	Heavy Duty Pallet Frame w/ 48" Forks		365
1PFHD42-5500	4" x 42"	Heavy Duty Pallet Frame w/ 42" Forks	5,500	364
1PFHD48-5500	4" x 48"	Heavy Duty Pallet Frame w/ 48" Forks		384
1PFHD60-5500	4" x 60"	Heavy Duty Pallet Frame w/ 60" Forks		426
1PFHD72-5500	4" x 72"	Heavy Duty Pallet Frame w/ 72" Forks		456

Heavy Duty Walk Thru Frame & Forks

- 4,000 lbs load capacity
- Optional 5,500 lbs load capacity tines available
- Class II heat treated forks
- Walk thru design allows for easy machine access
- 15" wide opening



Model #	Fork Size	Description	Rated Capacity	Est. Weight
1PFWTHD42-4000	4" x 42"	Walk Thru Heavy Duty Pallet Frame w/ 42" Forks	4,000	384
1PFWTHD48-4000	4" x 48"	Walk Thru Heavy Duty Pallet Frame w/ 48" Forks		404
1PFWTHD42-5500	4" x 42"	Walk Thru Heavy Duty Pallet Frame w/ 42" Forks	5,500	406
1PFWTHD48-5500	4" x 48"	Walk Thru Heavy Duty Pallet Frame w/ 48" Forks		426
1PFWTHD60-5500	4" x 60"	Walk Thru Heavy Duty Pallet Frame w/ 60" Forks		468
1PFWTHD72-5500	4" x 72"	Walk Thru Heavy Duty Pallet Frame w/ 72" Forks		498



Distributor of agricultural, construction and landscape equipment

Pallet Frame & Forks

- 4,400 lbs load capacity
- Class II heat treated forks
- Frame design provides better operator visibility



Model #	Fork Size	Description	Rated Capacity	Est. Weight
1PF48-4400-N	4" x 48"	Pallet Frame w/ 48" Forks	4,400	415

Walk Thru Pallet Frame & Forks

- 4,400 lbs load capacity
- Class II heat treated forks
- Walk thru design allows for easy machine access



Model #	Fork Size	Description	Rated Capacity	Est. Weight
1PFWT48-4400-N	4" x 48"	Walk Thru Pallet Frame w/ 48" Forks	4,400	348



Distributor of agricultural, construction and landscape equipment

Xtreme Series Frame & Forks

- 4,400 lbs load capacity
- Optional 5,500 lbs and 6,500 lbs load capacity tines available
- Class II heat treated American made forks
- Powder coated finish
- Frame design provides better operator visibility
- Versatile bolt-on operator step for ease of machine accessibility



Model #	Fork Size	Description	Rated Capacity	Est. Weight
1PFXD48-4400N	4" x 48"	Xtreme Pallet Frame w/ 48" Forks	4,400	410
1PFXD60-4400N	4" x 60"	Xtreme Pallet Frame w/ 60" Forks		446
1PFXD72-4400N	4" x 72"	Xtreme Pallet Frame w/ 72" Forks		460
1PFXD48-5500N	4" x 48"	Xtreme Pallet Frame w/ 48" Forks	5,500	425
1PFXD60-6500N	4" x 60"	Xtreme Pallet Frame w/ 60" Forks	6,500	472
1PFXD72-6500N	4" x 72"	Xtreme Pallet Frame w/ 72" Forks		516



Distributor of agricultural, construction and landscape equipment

Severe Series Frame & Forks

- 8,500 lbs load capacity
- Class III heat treated forks



Model #	Fork Size	Description	Rated Capacity	Est. Weight
1PFSV48-8500	5" x 48"	Severe Pallet Frame w/ 48" Forks	8,500	515
1PFSV60-8500	5" x 60"	Severe Pallet Frame w/ 60" Forks		577
1PFSV72-8500	5" x 72"	Severe Pallet Frame w/ 72" Forks		657
1PFSV96-8500	5" x 96"	Severe Pallet Frame w/ 96" Forks		787



Distributor of agricultural, construction and landscape equipment

Hydraulic Pallet Frame & Forks

- 4,400 lbs load capacity
- Class III heat treated forks
- 3/8" side plates
- Jumper hoses and couplers are included



Model #	Fork Size	Description	Rated Capacity	Est. Weight
1PFHYD48-4400-N	4" x 48"	Hydraulic Pallet Frame w/ 48" Forks	4,400	410



Distributor of agricultural, construction and landscape equipment

Xtreme Series Hydraulic Pallet Frame & Forks

- 5,500 lbs load capacity
- Class III heat treated forks
- 1-1/2" x 16" hydraulic cylinder
- Jumper hoses and couplers are included



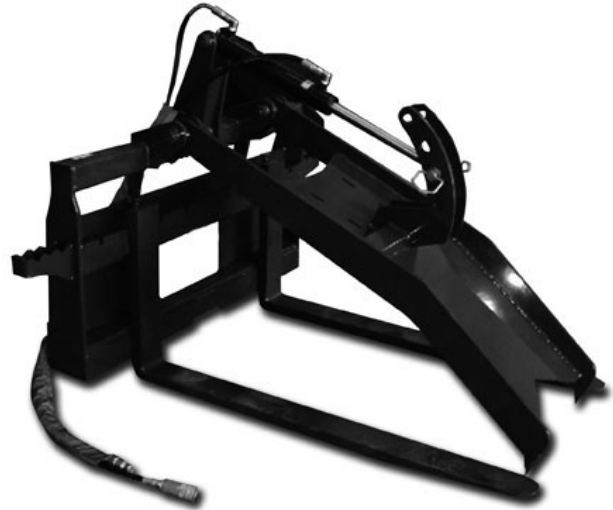
Model #	Fork Size	Description	Rated Capacity	Est. Weight
1PFHYD48-5500	4" x 48"	Extreme Hydraulic Pallet Frame w/ 48" Forks	5,500	476
1PFHYD60-5500	4" x 60"	Extreme Hydraulic Pallet Frame w/ 60" Forks		522
1PFHYD72-5500	4" x 72"	Extreme Hydraulic Pallet Frame w/ 72" Forks		552



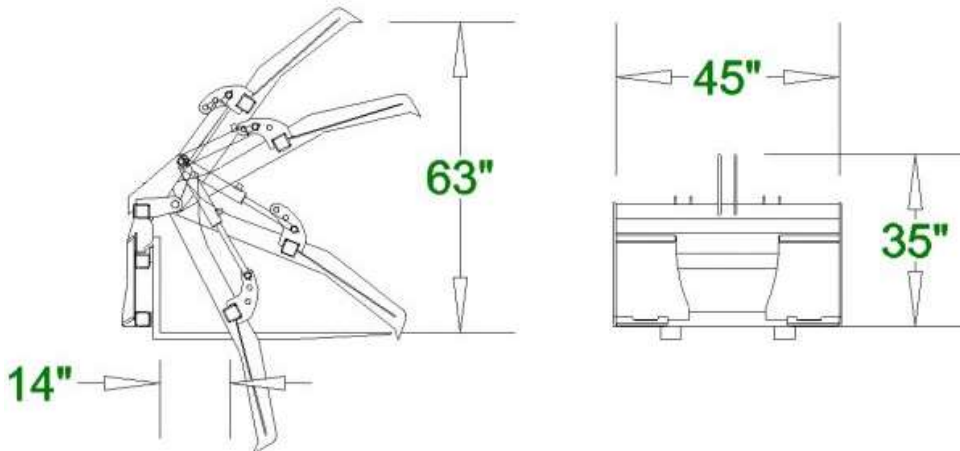
Distributor of agricultural, construction and landscape equipment

Xtreme Series Pallet Fork Grapple

- Ideal for moving logs or debris
- Class III heat treated forks
- 4,000 lbs load capacity
- Optional 5,500 lbs load capacity tines available
- 2" x 12" hydraulic cylinder
- Adjustable top tine to handle any size load
- Jumper hoses and couplers are included



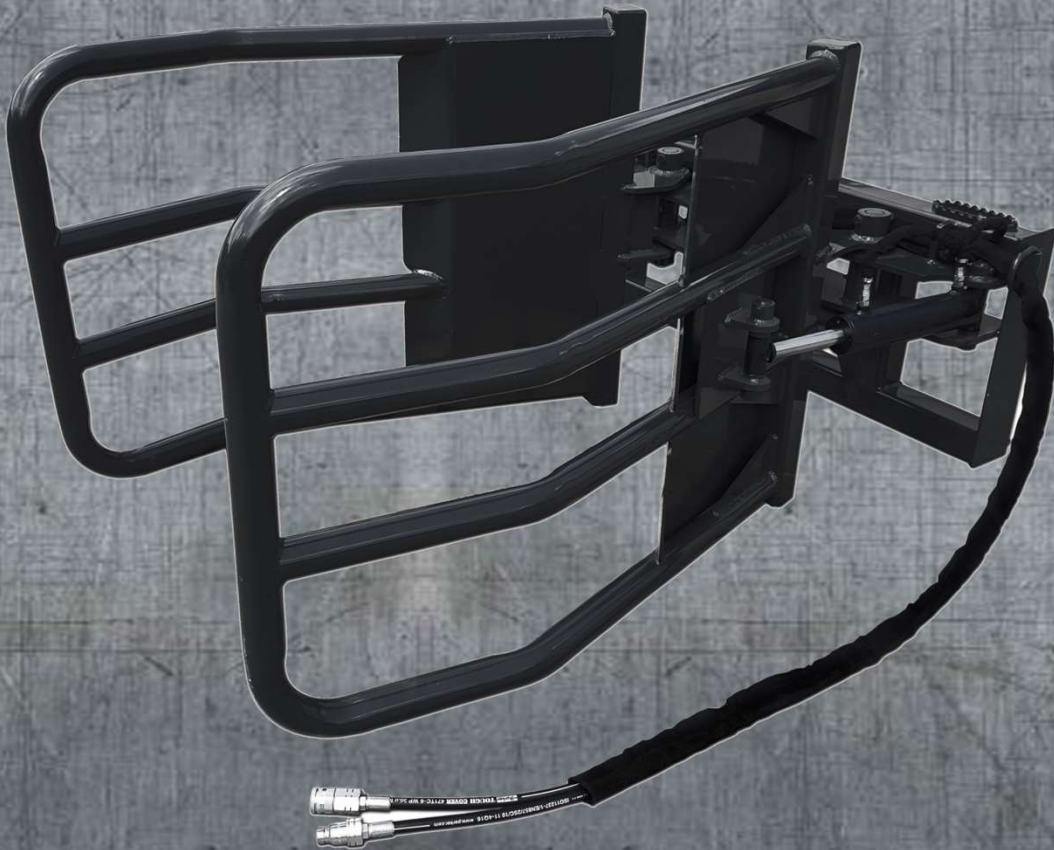
Model #	Fork Size	Description	Rated Capacity	Est. Weight
1PFGR48-4000	4" x 48"	Xtreme Fork Grapple w/ 48" Forks	4,000	621
1PFGR48-5500	4" x 48"	Xtreme Fork Grapple w/ 48" Forks	5,500	681
1PFGR60-5500	4" x 60"	Xtreme Fork Grapple w/ 60" Forks		723
1PFGR72-5500	4" x 72"	Xtreme Fork Grapple w/ 72" Forks		753





UTILITOUGH

Hay Bale Equipment Section



POWER. PRODUCTIVITY. PROVEN PERFORMANCE.



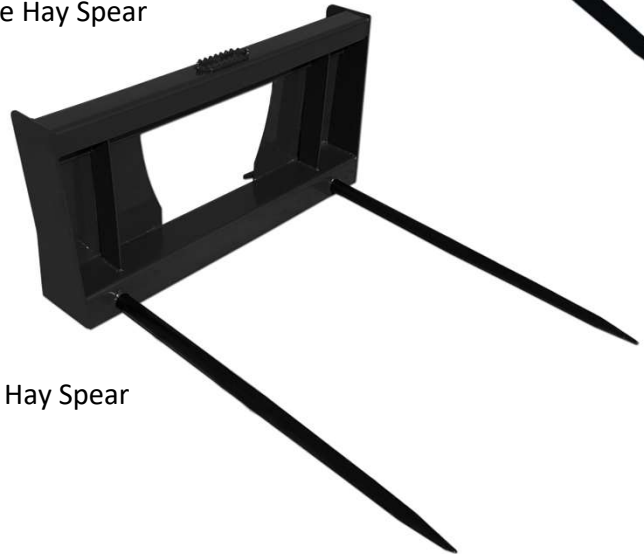
Distributor of agricultural, construction and landscape equipment

Xtreme Hay Spears

- Conus 2 replaceable forged spear
- Spear size: 1.78" x 49-1/4"
- Spear capacity: 2,800 lbs at 23-1/2" from frame
- *Note: Dual Hay Spear is offered with 32", 36" or 40" fixed spear spacing (must specify at time of order)*



Single Hay Spear



Dual Hay Spear

Model #	Description	# of Spears	Usable Spear Length	Spear Spacing	Frame Width	Est. Weight
1HSSXD	Xtreme Single Hay Spear	1	42"	NA	45"	186
1HSDXD	Xtreme Dual Hay Spear	2		32" or 36" or 40"	45"	203



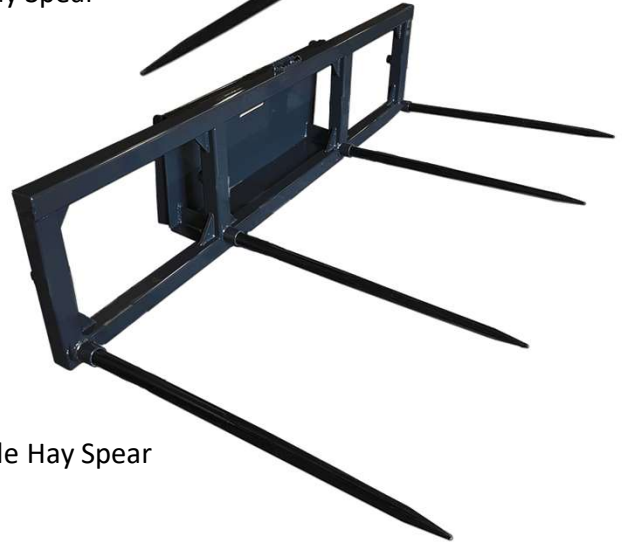
Distributor of agricultural, construction and landscape equipment

Xtreme Hay Spears

- Conus 2 replaceable forged spear
- Spear size: 1.78" x 49-1/4"
- Spear capacity: 2,800 lbs at 23-1/2" from frame



Triple Hay Spear



Quadruple Hay Spear

Model #	Description	# of Spears	Usable Spear Length	Spear Spacing	Frame Width	Est. Weight
1HSTXD	Xtreme Triple Hay Spear	3	42"	20"	45"	233
1HSQXD	Xtreme Quadruple Hay Spear	4		21"	71.5"	275



Distributor of agricultural, construction and landscape equipment

Xtreme High Back Hay Spears

- Designed to increase operator safety
- Comes 2 replaceable forged spear
- Spear size: 1.78" x 49-1/4"
- Spear capacity: 2,800 lbs at 23-1/2" from frame
- *Note: Dual Hay Spear is offered with 32", 36" or 40" fixed spear spacing (must specify at time of order)*



Single High Back Hay Spear



Triple High Back Hay Spear



Dual High Back Hay Spear

Model #	Description	# of Spears	Usable Spear Length	Spear Spacing	Frame Width	Est. Weight
1HSHBSXD	Xtreme High Back Single Hay Spear	1	42"	NA	45"	217
1HSHBDXD	Xtreme High Back Dual Hay Spear	2		32" or 36" or 40"		233
1HSHBTXD	Xtreme High Back Triple Hay Spear	3		20"		259



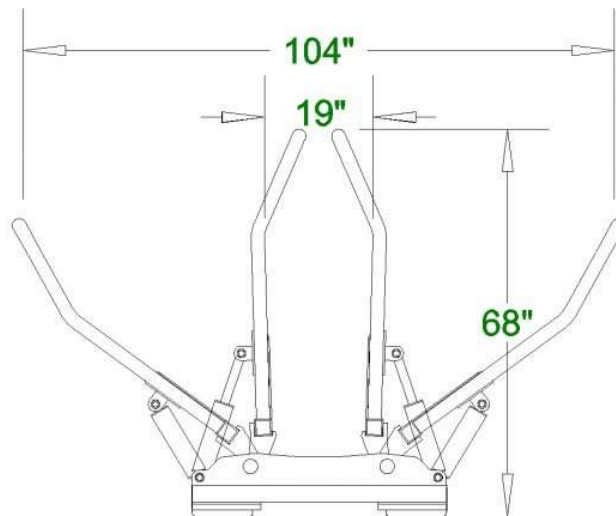
Distributor of agricultural, construction and landscape equipment

Xtreme Hay Squeeze

- 2,800 lbs lifting capacity
- 2.5" x 8" twin cylinders
- Holding capacity of 2,800 lbs.
- Handles 4', 5', or 6' bales



Model #	Description	Max Opening	Est. Weight
1HSQUXD	Xtreme Hay Squeeze	104"	608



Utilitough.com

1425 Wilson Road Newberry, SC 29108

803.597.6890

carmen@utilitough.com, shannon@utilitough.com, frontdesk@utilitough.com



Distributor of agricultural, construction and landscape equipment

Xtreme Hay Accumulator Grapple

- Able to carry eight to ten square bales of hay
- 2" x 6" cylinders
- 9" grapple hooks
- Radial bearings
- Removable sides for easy storage and unloading



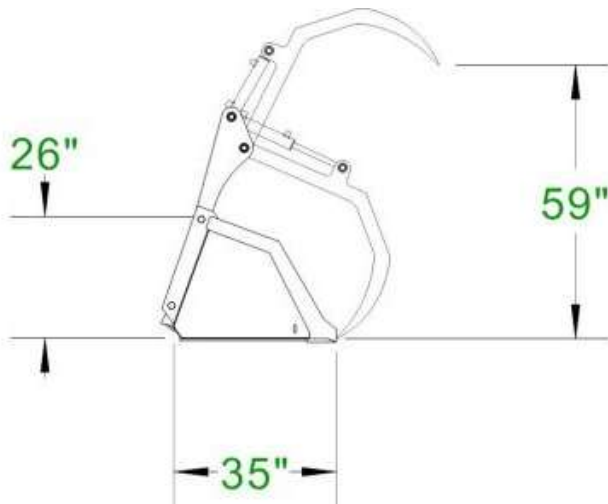
Model #	Description	Overall Length	Overall Height	Overall Depth	Est. Weight
1HAGXD	Xtreme Hay Accumulator Grapple	93"	27"	90"	1075



Distributor of agricultural, construction and landscape equipment

Xtreme Hay Grapple Bucket

- Gather up loose hay
- Carry round or square hay bales
- 3/4" x 6" cutting edge material
- 1/4" bucket wrap
- 2" x 10" cylinder
- Grease fitting at every pivot point

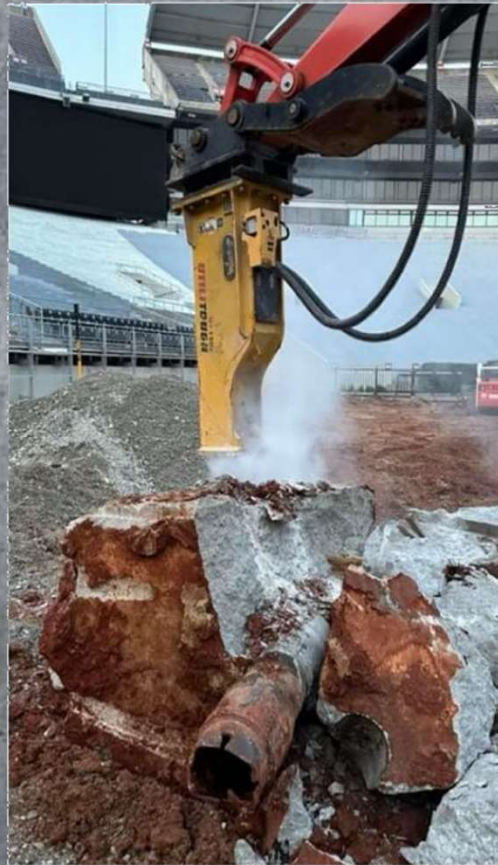


Model #	Sizes Available	Description	Max Grapple Opening	Overall Depth	Est. Weight
1HGB72	72"	Xtreme Hay Grapple Bucket	59"	35"	1082
1HGB84	84"	Xtreme Hay Grapple Bucket			1259
1HGB96	96"	Xtreme Hay Grapple Bucket			1364



UTILITOUGH

Distributor of agricultural, construction and landscape equipment



POWER. PRODUCTIVITY. PROVEN PERFORMANCE.